

100% Money Back
Guarantee

Vendor:OMG

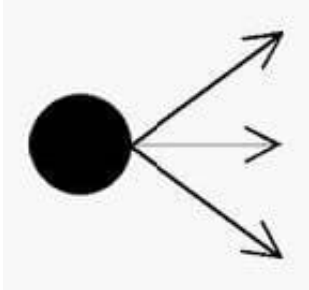
Exam Code:OMG-OCUP-100

Exam Name:OMG-Certified UML Professional
Fundamental Exam

Version:Demo

QUESTION 1

How many of the three arrows outgoing from the solid circle (as depicted in the exhibit) will be given values during the execution of a well-defined activity diagram?



- A. none
- B. one
- C. two
- D. three

Correct Answer: B

QUESTION 2

Which describes active classes?

- A. classes that have state machines
- B. classes whose instances may signal other objects
- C. classes whose instances have their own thread of control
- D. classes whose instances are able to execute one or more operations
- E. classes whose instances are actively executing one or more operations

Correct Answer: C

QUESTION 3

In a UML 2.0 interaction diagram, what can be accomplished with a general ordering?

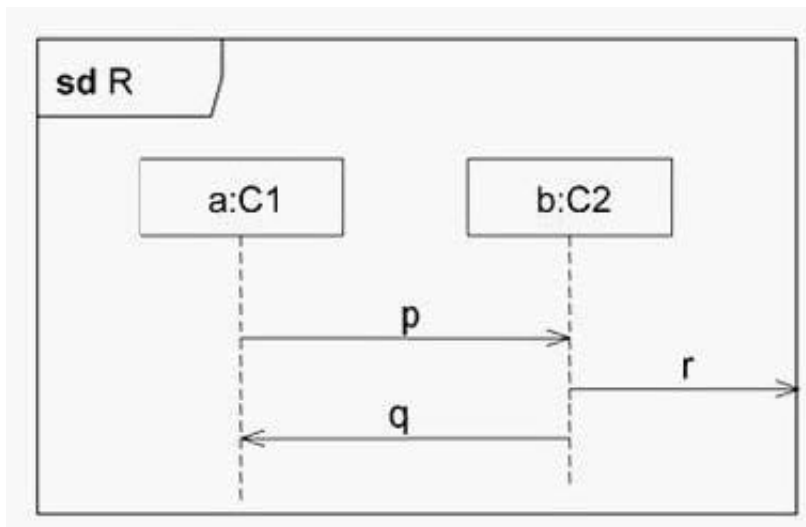
- A. order any two events within one interaction
- B. order interactions in hierarchies of inheritance
- C. order the events within a lifeline more flexibly than merely downwards

D. order message arguments differently from the order of the corresponding parameters

Correct Answer: A

QUESTION 4

There is an element identified as r in the exhibit. What does this element describe in a UML 2.0 interaction diagram?



A. timing signal from b

B. found message, found by b

C. lost message originating from b

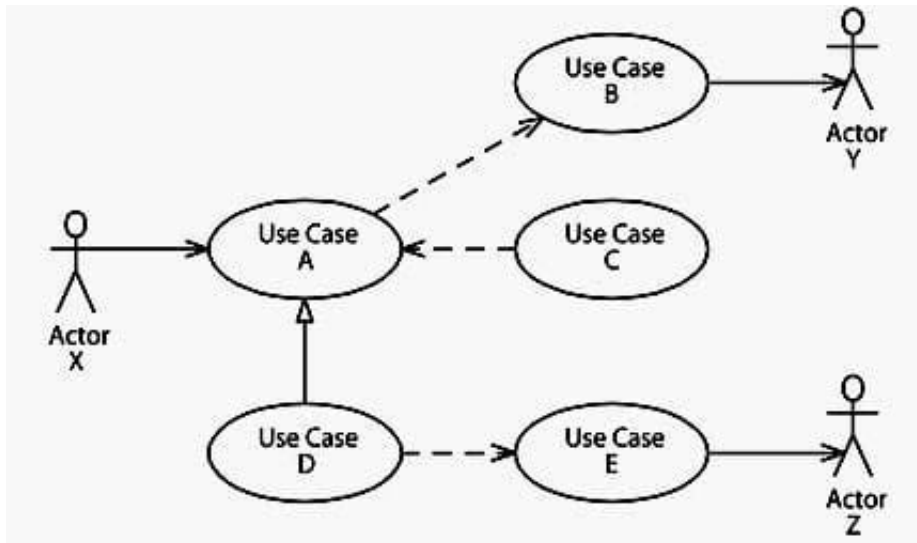
D. synchronous message to the environment of R

E. asynchronous message to the environment of R

Correct Answer: E

QUESTION 5

In the exhibit, when Actor X initiates Use Case A, how many other actors can be involved?



- A. 0
- B. 1
- C. 2
- D. 3

Correct Answer: C

QUESTION 6

What do abstraction dependencies represent? (Choose two)

- A. same concept
- B. different concepts
- C. same level of abstract or different viewpoints
- D. same level of abstraction or the same viewpoint
- E. different levels of abstraction or different viewpoints

Correct Answer: AE

QUESTION 7

What is true about a comment in UML 2.0? (Choose two)

- A. is shown as a note symbol
- B. must be attached to at most one element
- C. contains only machine-readable symbols

- D. can be attached to more than one element
- E. connections are always shown with a dashed line

Correct Answer: AD

QUESTION 8

What can be captured by use cases? (Choose two)

- A. requirements of the system
- B. behaviors offered by the system
- C. data and control flow of the system
- D. changes in state over time of the system
- E. user-interface specification of the system

Correct Answer: AB

QUESTION 9

What would NOT make a good subject for use cases? (Choose two)

- A. actor
- B. class
- C. system
- D. model
- E. subsystem
- F. component

Correct Answer: AD

QUESTION 10

What does the symbol in the exhibit represent inside UML 2.0 activity diagrams?

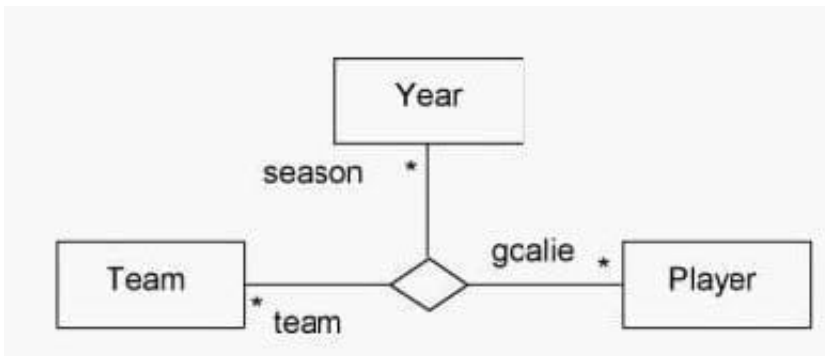


- A. state
- B. action
- C. activity
- D. behavior
- E. object node

Correct Answer: B

QUESTION 11

What does the diamond symbolize in the diagram?

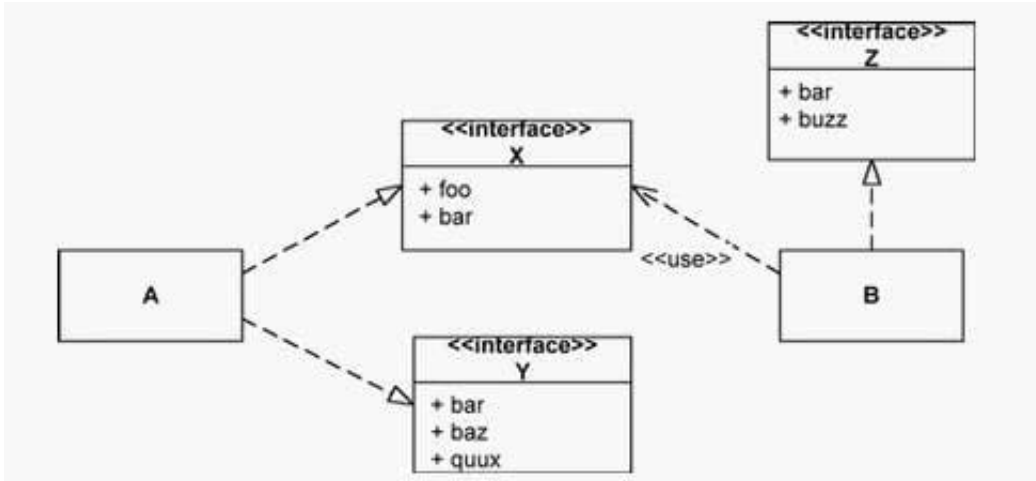


- A. decision point between three classes
- B. three-way message sent to three classes
- C. aggregation of team and goalie objects for a particular season
- D. binary association between instances of Team, Player, and Year
- E. ternary association between instances of Team, Player, and Year

Correct Answer: E

QUESTION 12

Refer to the exhibit. n that class A realizes interfaces X and Y, and that class B realizes interface Y and uses interface Z, what operations must class A support?



- A. union of the operations in interfaces X and Y
- B. union of the operations in interfaces X, Y, and Z
- C. intersection of the operations in interfaces X and Y
- D. intersection of the operations in interfaces X, Y, and Z
- E. not required to support any operations specified by the interfaces shown

Correct Answer: A