

100% Money Back
Guarantee

Vendor:Juniper

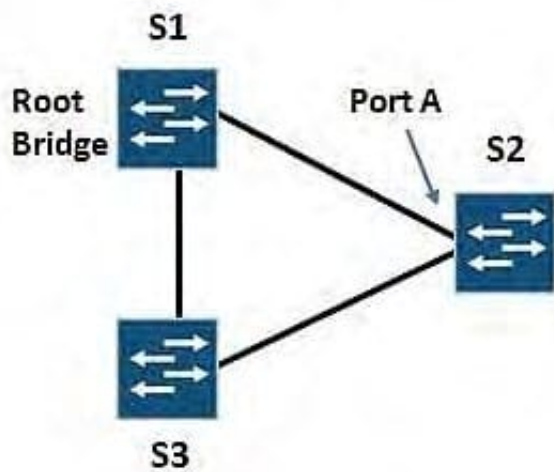
Exam Code:JN0-343

Exam Name:Juniper Networks Certified Internet
Specialist (JNCIS-ENT)

Version:Demo

QUESTION 1

-- Exhibit ?



-- Exhibit -

The exhibit shows three switches interconnected using the default RSTP settings.

What is the role of Port A?

- A. designated
- B. root
- C. alternate
- D. blocking

Correct Answer: B

QUESTION 2

```

[edit]
user@RouterA# show protocols bgp
group ebgp {
    peer-as 812;
    neighbor 66.126.8.2;
}

[edit routing-options]
user@RouterA01# show
autonomous-system 811;

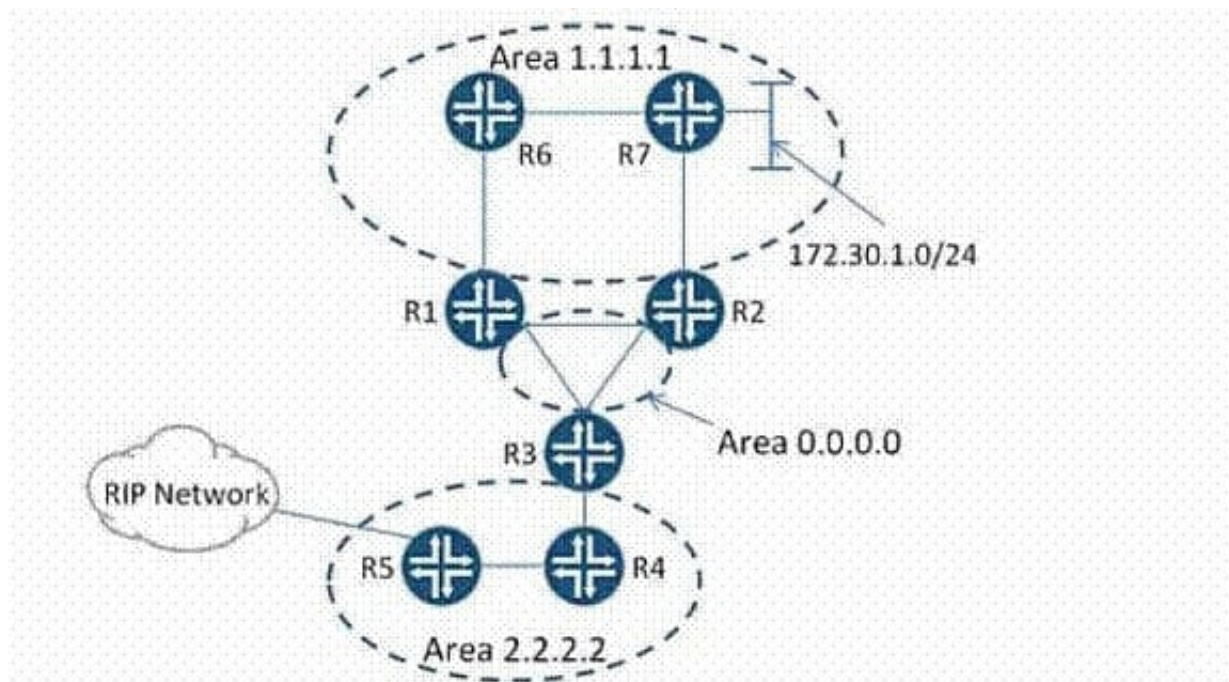
```

In the configuration shown in the exhibit, you want to form an EBGP peering relationship to the loopback address of a router administered by your ISP, but the session will not establish. What is causing the problem?

- A. EBGP cannot peer to a virtual address.
- B. The EBGP session needs to be explicitly configured with multihop.
- C. The EBGP session needs to be explicitly configured as type external.
- D. The autonomous system information needs to be configured under [protocols bgp].

Correct Answer: B

QUESTION 3



In the exhibit, Area 2.2.2.2 is configured as a not-so-stubby area and Area 1.1.1.1 is configured as a normal area. R5 has an export policy that causes the RIP network prefixes to be announced through OSPF. Which LSA type does R7

receive describing the RIP network prefixes?

- A. Summary (Type 3)
- B. ASBR Sum (Type 4)
- C. Extern (Type 5)
- D. NSSA (Type 7)

Correct Answer: C

QUESTION 4

Which two pieces of information are communicated by IS-IS TLVs? (Choose two.)

- A. network protocols supported
- B. designated router priority
- C. authentication key
- D. PDU Length

Correct Answer: AC

QUESTION 5

An ABR is connected to an NSSA, but it also functions as an ASBR. Which configuration disables the exporting of Type 7 LSAs into the connected NSSA?

- A. no-type7
- B. nssa
- C. area-range
- D. no-nssa-abr

Correct Answer: D

QUESTION 6

An OSPF broadcast segment has four OSPF-speaking routers. One router is in the DR state, one is in the BDR state, and two are in DR other states. How many 2Way OSPF sessions does a router in the DR other state have?

- A. 1 session
- B. 2 sessions
- C. 3 sessions

D. 4 sessions

Correct Answer: B

Reference: JNCIS-ENT Routing Study Guide, Chapter 3?0 - Open Shortest Path First

QUESTION 7

ON NO: 207

What is preserved by enabling graceful Routing Engine switchover (GRES)?

- A. control-plane state
- B. link-state protocol adjacencies
- C. interface and kernel information
- D. BGP peering relationships

Correct Answer: C

QUESTION 8

Which BGP attribute is used to influence inbound traffic when two peering sessions to the same AS exist?

- A. weight
- B. local preference
- C. router ID
- D. MED

Correct Answer: D

QUESTION 9

What are two considerations for determining the master router in VRRP? (Choose two.)

- A. The router with a lower priority value.
- B. The router with a higher priority value.
- C. The router with the lowest IP address configured in the VRRP group.
- D. Any router that has the no-preempt configuration option set.

Correct Answer: BD

QUESTION 10

You are asked to deploy a GRE tunnel between two remote sites. Which two statements are correct? (Choose two.)

- A. The tunnel endpoints must have tunnel interfaces to encapsulate the transported packets.
- B. The tunnel endpoints must have tunnel interfaces to encrypt the transported packets.
- C. All intermediate routers between the tunnel endpoints must have GRE transport support enabled.
- D. All intermediate routers between the tunnel endpoints must have a route to the tunnel endpoints.

Correct Answer: AD

QUESTION 11

What is the proper ingress processing sequence for firewall filters on an EX Series switch?

- A. router filter, port filter, VLAN filter
- B. port filter, VLAN filter, router filter
- C. router filter, VLAN filter, port filter
- D. VLAN filter, port filter, router filter

Correct Answer: B

QUESTION 12

What is the default keepalive time for BGP?

- A. 30 seconds
- B. 10 seconds
- C. 90 seconds
- D. 60 seconds

Correct Answer: A