

**100%** Money Back  
**Guarantee**

**Vendor:**HP

**Exam Code:**HPE0-V14

**Exam Name:**Building HPE Hybrid IT Solutions

**Version:**Demo

### QUESTION 1

A customer requires 12 Gb local storage for their VMware boot volumes, which require high-performance read cycles to enable the operating system to boot quickly.

Which drive type provides the most appropriate size and most cost-effective way to meet this requirement?

- A. Mixed-use SSD
- B. Flash media drive
- C. SATA nearline
- D. SAS midline

Correct Answer: B

---

### QUESTION 2

Which information is contained in the Array Diagnostic Report? (Choose two.)

- A. firmware version numbers
- B. device status
- C. file system types
- D. partition types
- E. operating system mount points

Correct Answer: AB

---

### QUESTION 3

DRAG DROP

A customer needs a new environment to support an ERP system. The sizing information you received shows the following requirements:

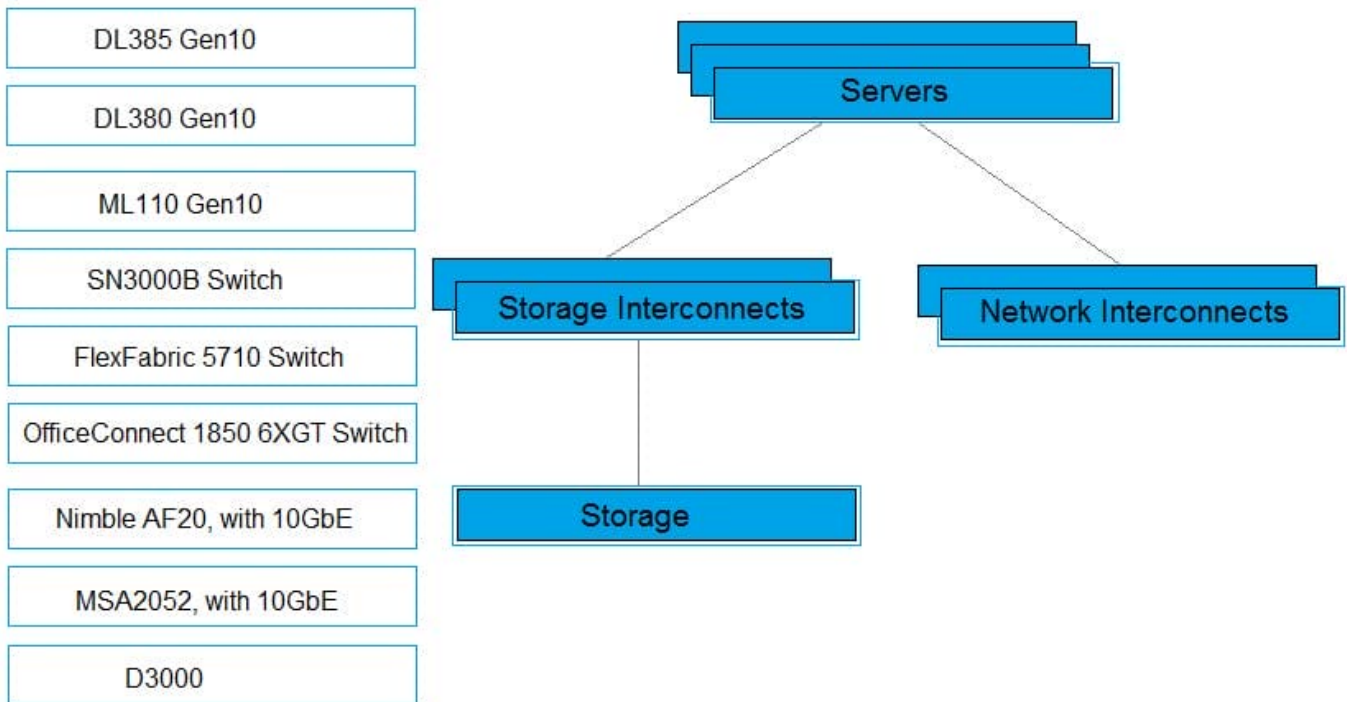
1.  
3 servers with dual AMD processors, 256GB RAM, and 10Gb network connectivity
2.  
10TB of high performance shared storage
3.  
Cloud-based performance monitoring and analytics

The customer prefers rack mounted equipment.

Identify the components that will meet the customer requirements, then drag the correct components on the left to their appropriate location in the environment on the right.

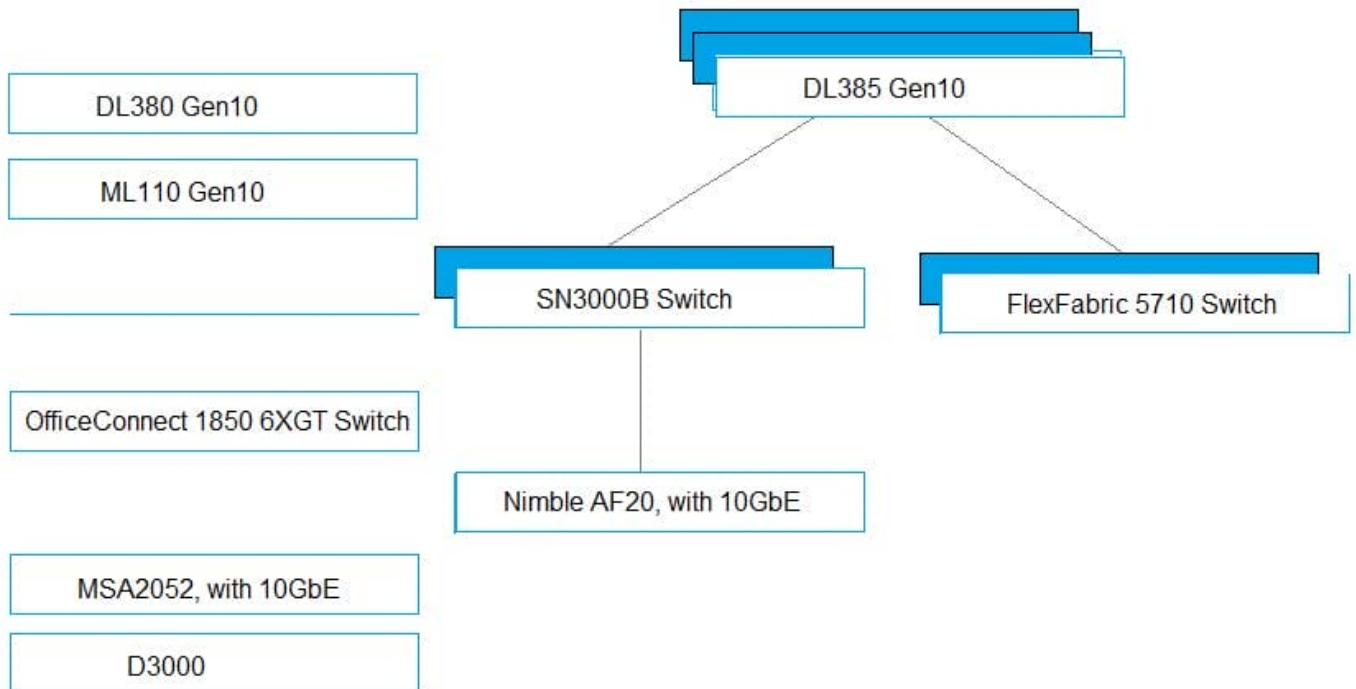
Select and Place:

### Answer Area



Correct Answer:

## Answer Area



### QUESTION 4

A Network administrator connects two switches together with multiple links of the same speed, duplex, and media type. The administrator expected the links to be aggregated, but they are not. The administrator confirmed that the ports are part of the appropriate link aggregation groups and that the permitted VLANs match.

Switch A has the lower LACP System Priority.

Which LACP operation states describe the failure above?

- A. Switch A: Active; Switch B: Active
- B. Switch A: Active; Switch B: Passive
- C. Switch A: Passive; Switch B: Passive
- D. Switch A: Passive; Switch B: Active

Correct Answer: C

### QUESTION 5

DRAG DROP

Match the speed and protocol with the appropriate component.

Select and Place:

Component		Speed and Protocol
SFP+	<input type="text"/>	10GbE
QSFP28	<input type="text"/>	12Gb SAS
Mini-SAS HD 4x	<input type="text"/>	100GbE

Correct Answer:

Component		Speed and Protocol
	SFP+	10GbE
	Mini-SAS HD 4x	12Gb SAS
	QSFP28	100GbE

Reference: <https://buy.hpe.com/us/en/options/transceivers/server-transceivers/hpe-sfp-transceivers/p/7263510> [https://itg.buy.hpe.com/emea\\_europe/en/options/transceivers/server-transceivers/server-transceivers/hpe-qsfp28-transceivers/p/1008789459](https://itg.buy.hpe.com/emea_europe/en/options/transceivers/server-transceivers/server-transceivers/hpe-qsfp28-transceivers/p/1008789459)

---

### QUESTION 6

DRAG DROP Given the solution shown in the exhibit, which adapter is required in the server to facilitate connective in Block 1

Select and Place:

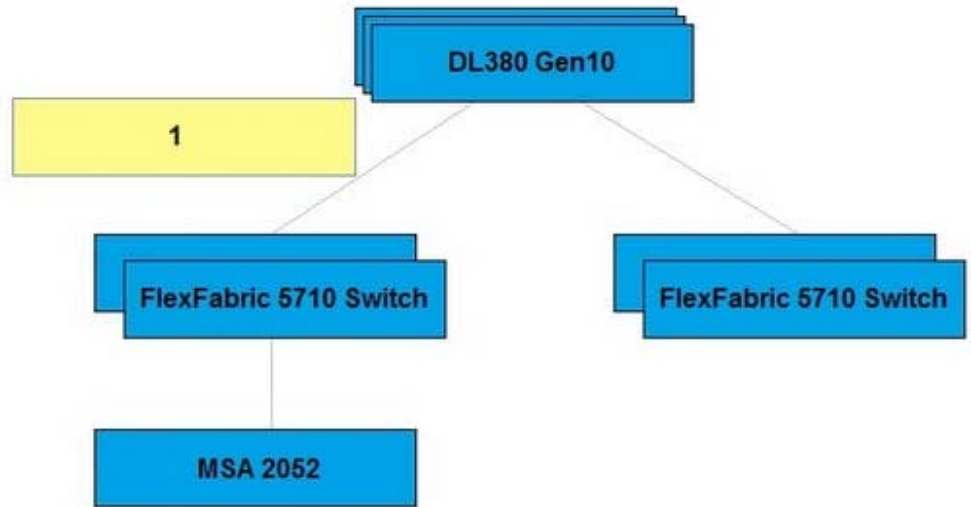
HPE StoreFabric SN1200E Host Bus Adapter

HPE Smart Array P824i-p MR Gen10 Controller

HPE Smart Array E208i-p SR Gen10 Controller

HPE FlexFabric 534FLR-SFP+ Adapter

Answer Area



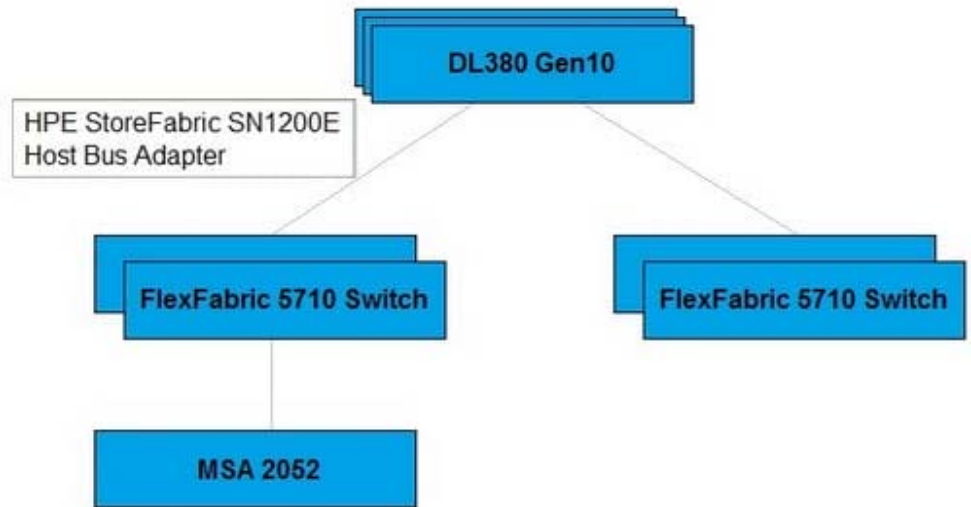
Correct Answer:

HPE Smart Array P824i-p MR Gen10 Controller

HPE Smart Array E208i-p SR Gen10 Controller

HPE FlexFabric 534FLR-SFP+ Adapter

Answer Area

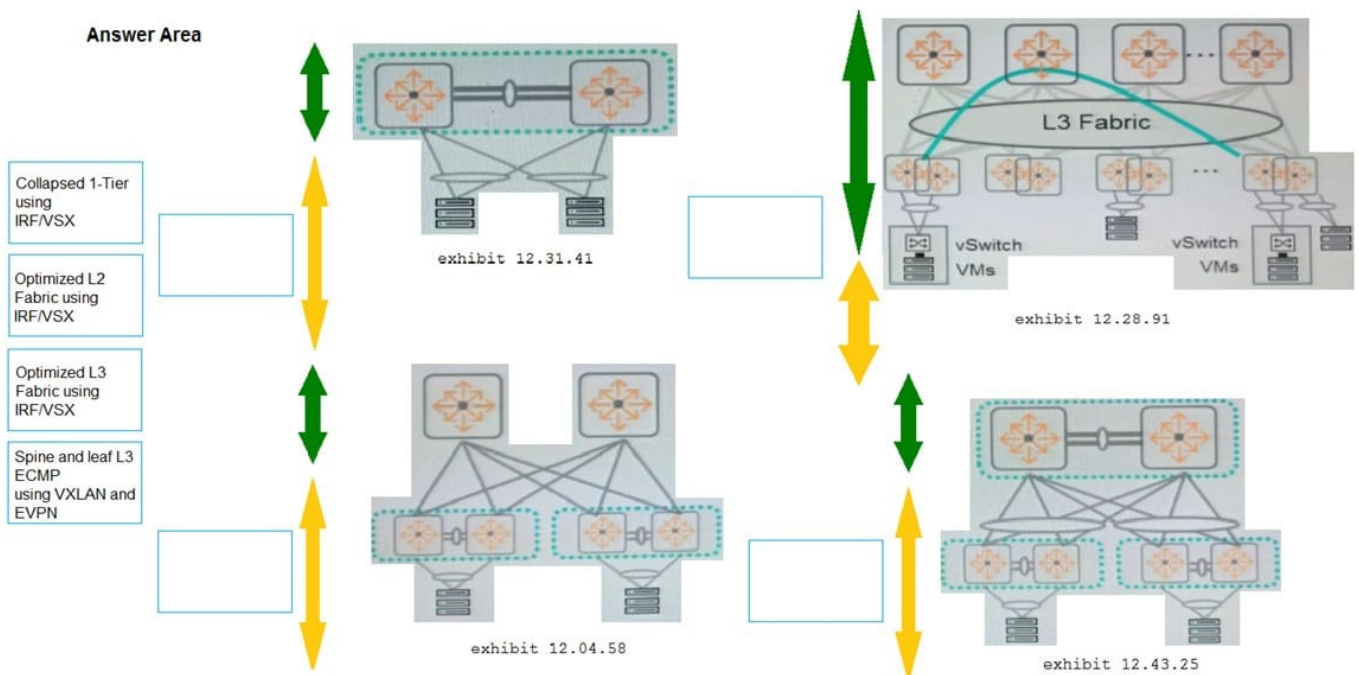


QUESTION 7

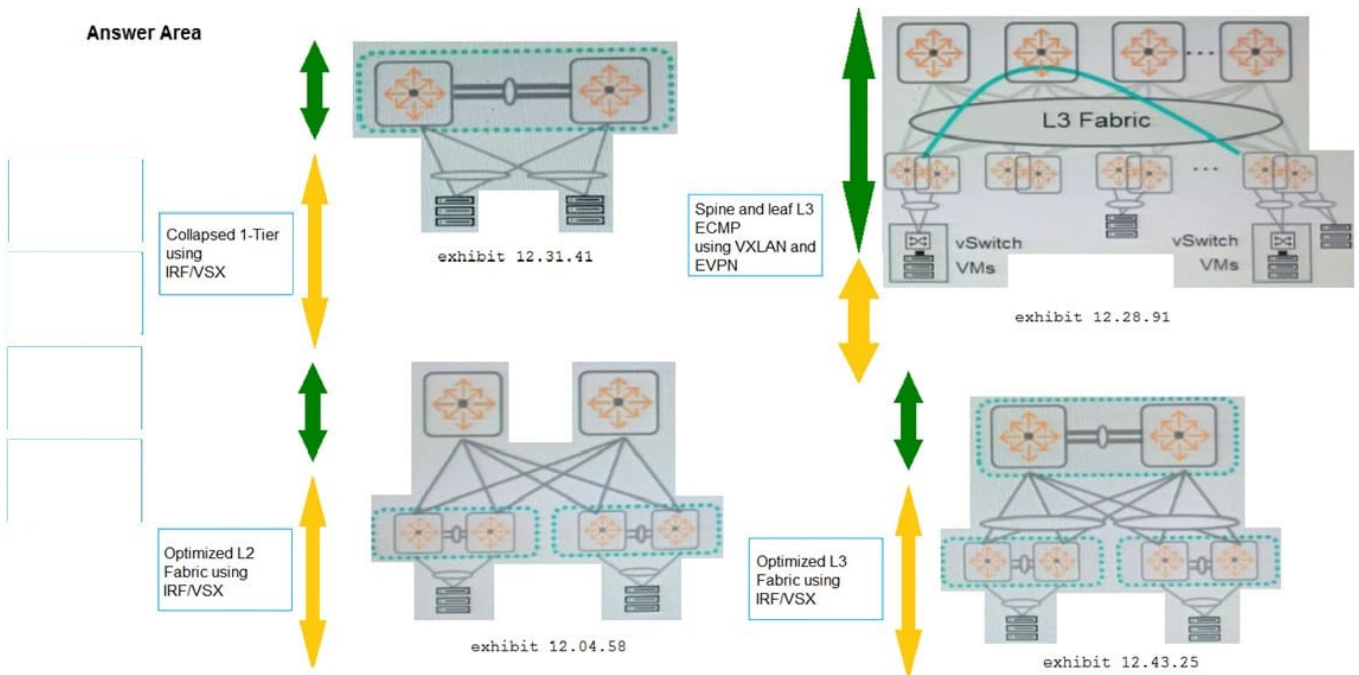
DRAG DROP

Match each customer data center architecture to its network topology.

Select and Place:



Correct Answer:



**QUESTION 8**

A customer needs the devices in their non-secure network to communicate in a secure manner. They are considering implementing Kerberos network authentication in their environment.

Which impact will this have when using iLO 5 with their HPE ProLiant Gen10 servers?

- A. It will enable two-factor authentication when users log on to iLO.
- B. It will enhance iLO security by leveraging the key stored in the silicon root of trust.
- C. It will allow the servers\ iLO to detect compromised firmware code.
- D. It will enable Zero Sign In to log in to iLO without entering a user name and password.

Correct Answer: D

---

#### QUESTION 9

What is the correct cable type to use when connecting a server to a switch using 10 Gbps Short Range (SR) SFP+ optical connections?

- A. Direct Attach Cable (DAC)
- B. Twin-Ax
- C. Single Mode Fiber
- D. Multi-mode Fiber

Correct Answer: C

Reference: <https://support.hpe.com/hpesc/public/docDisplay?docId=c02705558>

---

#### QUESTION 10

A customer is purchasing a complete HPE solution that includes servers, storage, and networking. They need to leverage cloud storage for an off-site copy of their data in case of disaster. Which HPE solutions should you suggest? (Choose two.)

- A. HPE MSA Storage
- B. HPE StoreOnce
- C. HPE Smart RAID
- D. HPE StoreEver
- E. HPE Nimble Storage

Correct Answer: BE

---

#### QUESTION 11

You are installing multiple components into an existing server.

Which HPE resource can you use to verify the compatibility of the server hardware options with the server? (Select two.)



- A. Smart Selling tool
- B. Server User Guide
- C. iQuote Universal
- D. Quickspecs
- E. SPOCK

Correct Answer: BE

---

**QUESTION 12**

DRAG DROP

Match the customer requirement to the appropriate HPE storage solution.

Select and Place:

<b>HPE Solution</b>		<b>Requirement</b>
HPE 3PAR Storage		Converged block, file, and object
HPE MSA Storage		Triple-Parity RAID
HPE Nimble Storage		Volume Tier Affinity

Correct Answer:

<b>HPE Solution</b>		<b>Requirement</b>
	HPE 3PAR Storage	Converged block, file, and object
	HPE Nimble Storage	Triple-Parity RAID
	HPE MSA Storage	Volume Tier Affinity

Reference: <https://h20195.www2.hpe.com/v2/GetPDF.aspx/4AA5-6078ENW.pdf>  
<https://assets.ext.hpe.com/is/content/hpedam/a50002410enw>