

**100%** Money Back  
**Guarantee**

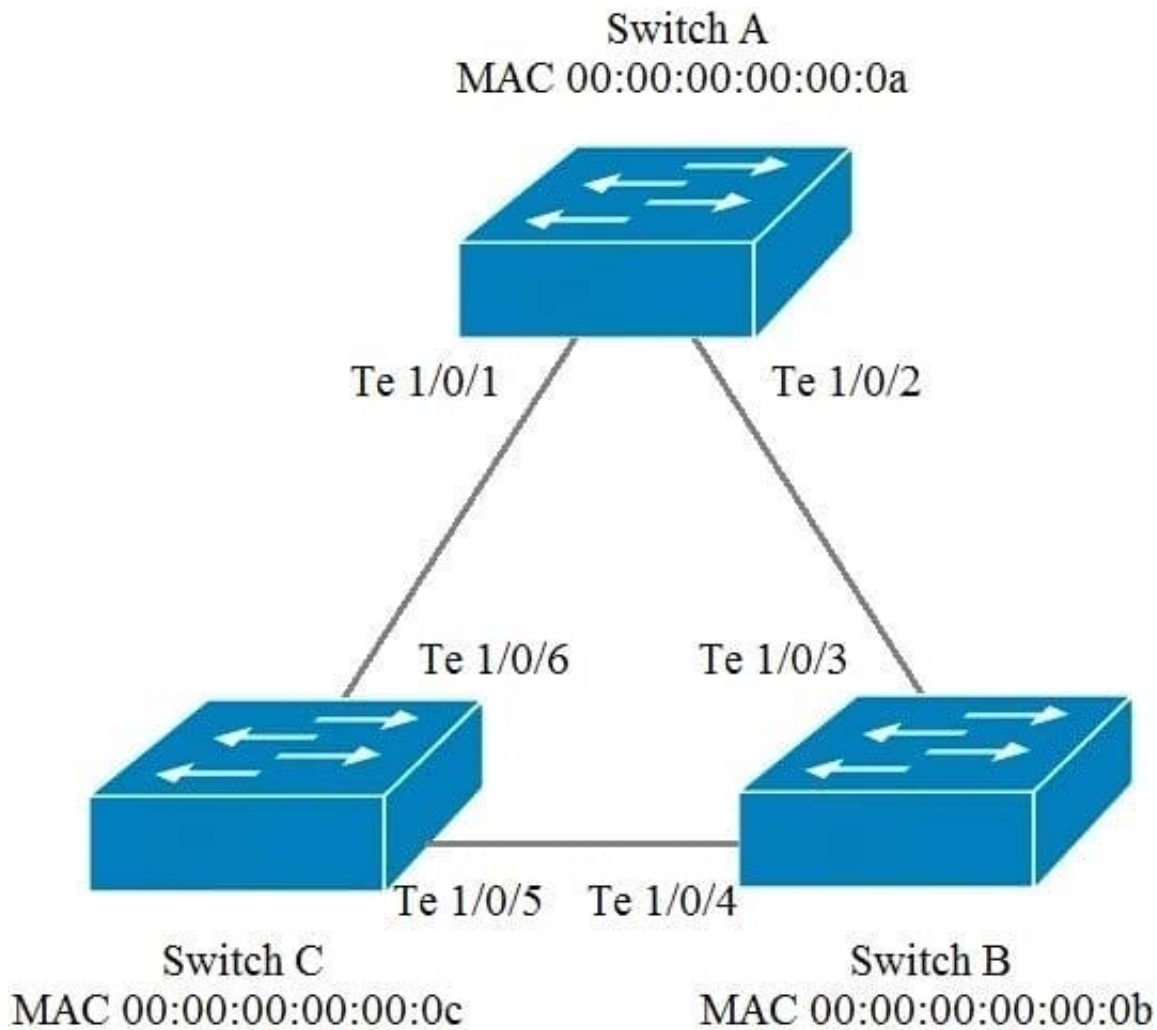
**Vendor:**EMC

**Exam Code:**DES-5121

**Exam Name:**Specialist - Implementation Engineer -  
Campus Networking Exam

**Version:**Demo

**QUESTION 1**



The exhibit represents a topology with all Dell EMC N4000 Series switches with RSTP enabled. In addition, the switches are using the default configuration on all ports and protocols. Which port number will be blocked by spanning tree?

- A. Te 1/0/3
- B. Te 1/0/4
- C. Te 1/0/5
- D. Te 1/0/6

Correct Answer: C

---

**QUESTION 2**

How many untagged VLANs are allowed on a switchport mode trunk interface?

- A. 0

- B. 1
- C. 128
- D. 4096

Correct Answer: B

---

### QUESTION 3

A network administrator is planning a PoE budget for their network.

What is the PoE source maximum power budget for a Class 4 end device?

- A. 12.95 watts
- B. 15.4 watts
- C. 34.2 watts
- D. 60 watts

Correct Answer: C

Reference: [http://ftp.dell.com/manuals/all-products/esuprt\\_ser\\_stor\\_net/esuprt\\_networking/esuprt\\_net\\_fxdprt\\_swch/networking-n3000-series\\_User\\'s-Guide10\\_en-us.pdf](http://ftp.dell.com/manuals/all-products/esuprt_ser_stor_net/esuprt_networking/esuprt_net_fxdprt_swch/networking-n3000-series_User\\'s-Guide10_en-us.pdf) page 82

---

### QUESTION 4

A network administrator has configured a 4-port port-channel between two Dell EMC Campus networking switches. The physical interfaces show as administratively up and operationally up on both switches. However, the port-channel shows as operationally up on Switch A and operationally down on Switch B.

What is a potential reason for the inconsistent port-channel state?

- A. Switch A is configured to use dynamic port-channels and Switch B is configured to use static port-channels
- B. Ports in the port-channel on Switch A are all the same speed but the ports in the port-channel on Switch B are a mix of speeds
- C. Switch A is configured using channel-group # mode on and Switch B is configured using channel-group # mode auto
- D. N-Series supports a maximum number of physical interfaces that can be included in port-channels on a per-device basis

Correct Answer: C

---

### QUESTION 5

A user\\'s host with an IP address of 172.16.1.22/24 is attempting to FTP a file from the server with IP address 10.1.1.99; however, they are unable to connect.

Which access-list is preventing this traffic?

- A. # ip access-list ACL1 # deny ip any host 10.1.1.99
- B. # ip access-list ACL2 # permit ip 172.16.1.0 0.0.0.255 any
- C. # ip access-list ACL3 # deny ip any 172.16.2.0 0.0.0.255
- D. # ip access-list ACL4 # permit ip host 172.16.1.22 host 10.1.1.99

Correct Answer: A

---

### QUESTION 6

When configuring a PBR route-map, what are the configurable "SET" options?

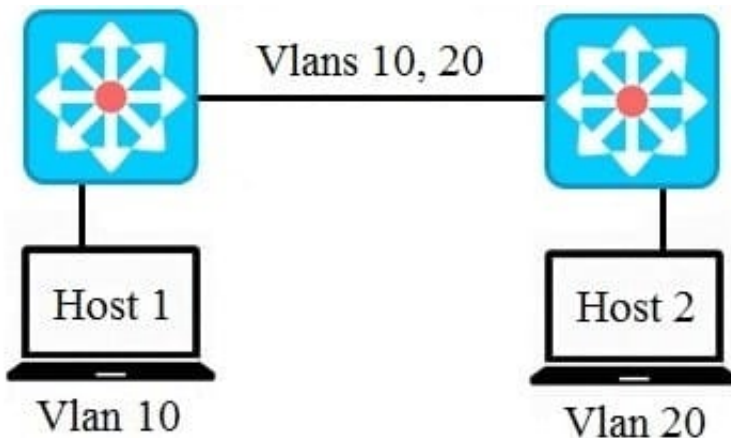
- A. set ip source, set ip next-hop, and set ip default next-hop
- B. set ip next-hop, set ip source, and set ip precedence
- C. set ip next-hop, set ip default next-hop, and set ip precedence
- D. set ip source, set ip default next-hop and set ip precedence

Correct Answer: C

---

### QUESTION 7

Refer to the Exhibit.



A network administrator needs to configure the switches to allow traffic to communicate from Host 1 to Host 2. Which recommended switch port mode should the interconnecting switch ports be configured?

- A. Access
- B. Trunk
- C. VLAN Stacking

D. Hybrid

Correct Answer: B

---

### QUESTION 8

To which destination MAC address are MLAG peer-keepalive packets sent?

A. 01:00:B5:00:00:00

B. 01:00:C5:00:00:00

C. B5:00:01:00:00:00

D. C5:00:01:00:00:00

Correct Answer: A

Reference: <https://www.manualslib.com/manual/858353/Dell-Networking-N4000-Series.html?page=941>

---

### QUESTION 9

If VoIP traffic uses multiple QoS prioritization schemes, what refers to VoIP traffic?

A. COS 2, DSCP 22, AF

B. COS 2, DSCP 46, EF

C. COS 5, DSCP 42, AF D. COS 5, DSCP 46, EF

Correct Answer: D

---

### QUESTION 10

N4032F#show interfaces status N4032F#show interfaces port-channel 1

Port	Description	Duplex	Speed	Neg	Link State	Flow Ctrl	M	VLAN
Te1/0/5		Full	1000	Auto	Up	Off	A	1
Te1/0/6		Full	1000	Auto	Up	Off	A	1

Port Channel	Description	Link State	M	VLAN
Pol		Up	A	1

Channel	Ports	Ch-Type	Hash Type	Min-Links	Local Prf	Rx Util	Tx Util
Pol	Active: Te1/0/5, Te1/0/6	Dynamic	7	1	Disabled	0	0

Hash Algorithm Type 1 - Source MAC, VLAN, EtherType, source module and port Id 2 - Destination MAC, VLAN, EtherType, source module and port Id 3 - Source IP and source TCP/UDP port 4 - Destination IP and destination TCP/UDP port 5 - Source/Destination MAC, VLAN, EtherType, source MODID/port 6 - Source/Destination IP and source/destination TCP/UDP port 7 - Enhanced hashing mode

A network administrator has reported poor network performance to an application server. After reviewing the logs, you determine that the server is using 100 percent of the available bandwidth on its network port. As shown in the exhibit, you configure a second link and a 2-member port-channel to an application server in an effort to increase performance. However, during testing, the network performance has not improved.

What is a possible reason why there has been no increase in the performance?

- A. Application is using a single I/O flow
- B. File server needs to be configured with LACP
- C. Minimum links needs to be increased to "2"
- D. Port-channel needs load balancing enabled

Correct Answer: A

---

#### QUESTION 11

Which commands should a network administrator use to configure a RADIUS server on a Dell EMC N-Series switch?

- A. Switch-1(config)# radius 10.1.1.111 Switch-1(config-radius)# name RADIUS-Server Switch-1(config-radius)# key secretkey
- B. Switch-1(config)# radius server auth 10.1.1.111 Switch-1(config-radius)# name RADIUS-Server Switch-1(config-radius)# key "secretkey"
- C. Switch-1(config)# radius auth 10.1.1.111 Switch-1(config-radius)# name "RADIUS-Server" Switch-1(config-radius)# key "secretKey"
- D. Switch-1(config)# radius auth server 10.1.1.111 Switch-1(config-radius)# name RADIUS-Server Switch-1(config-radius)# key "secretKey"

Correct Answer: B

---

#### QUESTION 12

You need to configure OSPF on a DNOS 6 switch and have entered the following:

```
Switch-1(config)# ip routing Switch-1(config)# interface vlan 20 Switch-1(config-if-vlan20)# ip address 10.1.20.1 255.255.255.0
```

```
Switch-1(config)# router ospf Switch-1(config-router)# router-id 10.1.1.1
```

Based on the information referenced above, what is missing from the configuration?

- A. area 0 is missing from the ip routing command

B. ip ospf area 0 is missing from the interface vlan 20 section

C. router ospf is missing the routing instance

D. area 0 is missing from the router-id command

Correct Answer: B