

100% Money Back
Guarantee

Vendor: IBM

Exam Code: A2010-657

Exam Name: Assess:IBM Tivoli Netcool/OMNIbus V7.4
Implementation

Version: Demo

Topic 1, Volume A

QUESTION NO: 1

What is the recommended solution delivery mechanism for Native Event List tools, prompts, and menus?

- A. They are included in the WebGUI configuration.
- B. They should be packaged up using nco_conf pack.
- C. They should be included in the solution delivery SQL file.
- D. They should be documented in the detailed design document but not delivered in the solution delivery package

Answer: B

Explanation:

QUESTION NO: 2

What does the nco_pa_status tool display?

- A. the status output from a named Process Agent
- B. the status output from all Process Agents in the installation
- C. process accounting information for the named ObjectServer
- D. process accounting information for all binaries in the IBM Tivoli Netcool/OMNIBus installation

Answer: A

Explanation:

QUESTION NO: 3

The username and password for the ObjectServer datasource is configured in which WebGUI configuration file?

- A. \$NCHOME/omnibus_webgui/etc/server.init
- B. \$NCHOME/omnibus_webgui/etc/datasources/ncwDataSource.dtd
- C. \$NCHOME/omnibus_webgui/etc/datasources/ncwDataSource.xml
- D. \$NCHOME/omnibus_webgui/etc/datasources/ncwDataSourceDefinitions.xml

Answer: D

Explanation:

QUESTION NO: 4

Pluggable Authentication Modules are used to verify user credentials on a Linux host. What is the correct command line to start process control?

- A. %NCHOME/omnibus/bin/nco_pad -admingroup roots -authenticate KER -secure
- B. %NCHOME/omnibus/bin/nco_pad -admingroup root -authenticate PAM -secure
- C. %NCHOME/omnibus/bin/nco_pad -admingroup admin -authenticate PLUG -secure
- D. %NCHOME/omnibus/bin/nco pad -admingroup admin -authenticate UNIX -secure

Answer: B

Explanation:

QUESTION NO: 5

What is the purpose of the BufferSize probe property (common to all probes)?

- A. It tells a probe how much memory to allocate for its internal buffers.
- B. It tells a probe the size of the buffer to use when reading alerts from its data source.
- C. It tells a probe the maximum number of alerts to buffer before flushing them to the destination ObjectServer(s).
- D. It tells a probe the maximum number of alerts to have awaiting processing by the rules file. Events received when thebuffer is full are discarded automatically.

Answer: C

Explanation:

QUESTION NO: 6

Which two actions are required when configuring a CGI script to use via a WebGUI tool? (Choose two.)

- A. ensure the script is writeable
- B. ensure the script is executable
- C. save the CGI script on the Web GUI server in the \$NCHOME/etc/cgi-bin directory
- D. save the CGI script on the Web GUI server in the \$OMNIHOME/etc/cgi-bin directory
- E. save the CGI script on the Web GUI server in the \$NCHOME/omnibus_webgui/etc/cgi-bin

directory

Answer: B,E

Explanation:

QUESTION NO: 7

Examine this part of a rules file (line numbers added for troubleshooting)

```
[10] @Node=$node
[11] table dept="$NC_RULES_HOME/Dept.lookup"
[12] @Department=lookup($node,dept)
```

When running a syntaxcheck this error is displayed:

```
2013-01-22T11:25:14: Debug: D-UNK-000-000: Plain text rules file detected.
2013-01-22T11:25:14: Debug: D-ETC-004-050: THREAD MGR: thread Request Thread (0x80d0c58) running
2013-01-22T11:25:14: Error: E-UNK-000-000: Rules file 'snmptrap.rules' line 11: parse error
2013-01-22T11:25:14: Debug: D-UNK-000-000: Rules file caching is disabled.
2013-01-22T11:25:14: Error: E-UNK-000-000: Error(s) in rules file
```

What is the cause of this error?

- A. Dept.lookup has a syntax error.
- B. Department is not a valid Objectserver field.
- C. The NC_RULES_HOME environment variable is not set.
- D. Lookup table definitions must be located at the start of a rules file

Answer: D

Explanation:

QUESTION NO: 8

Which two statements are true regarding Group Filters in WebGUI V7.4? (Choose two.)

- A. Only a single copy of the filter is needed.
- B. Only users with ncw_admin role can add group filters.
- C. User retains a copy of the filter when leaving the group.
- D. Global, system, user filters can depend on group filters.
- E. Allows users to share filters based on their membership.

Answer: A,E

Explanation:

QUESTION NO: 9

What is taken into consideration while calculating sizing for a server that will only run an IBM Tivoli Netcool/OMNIbusObjectServer?

- A. number of operator users configured
- B. number of WebGUI maps configured
- C. number of custom SQL triggers configured
- D. number of Process Control agents configured within the solution

Answer: C

Explanation:

QUESTION NO: 10

A company is assessing their user and group requirements for WebGUI WebGUI was configured for ObjectServer authentication during the installation. These users will need access to WebGUI

- 10 users will be monitoring the Active Event List in shifts. They will run tools that will modify events
- 1 manager will connect to the Active Event List occasionally to view certain event information
- 1 user will modify the Event Dashboard portlet preferences
- 3 users will configure the product to create views and filters for all users

Given these requirements, how many users will belong to each of the default user groups?

- A. 1 user is member of ncouser group, and 14 users are members of ncoadmin group.
- B. 11 users are members of ncouser group, and 4 users are members of ncoadmin group.
- C. 1 user is member of Netcool_OMNIBus_User group, and 14 users are members of Netcool_OMNIBus_Admin group.
- D. 11 users are members of Netcool_OMNIBus_User group, and 4 users are members of Netcool_OMNIBus_Admin group

Answer: C

Explanation:

QUESTION NO: 11

A company is using Federated Repository with 3 LDAP servers defined. Users and groups are synced to the ObjectServer. Some users cannot log in to the Tivoli Integrated Portal. The SystemOut.log shows this exception:

```
[1/23/13 12:44:03:743 CST] 000000b5 exception E com.ibm.ws.wim.ProfileManager loginImpl  
com.ibm.websphere.wim.exception.DuplicateLogonIdException: CWWIM4538E Multiple principals  
were found for the 'jsmith' principal name.
```

What can the administrator do to prevent the error?

- A. use one LDAP server only
- B. switch users.credentials.sync to False
- C. ensure usernames are unique across repositories
- D. use different value for users.credentials.sync.groupname

Answer: C

Explanation:

QUESTION NO: 12

Which role is required to administer groups and roles in IBM Tivoli Netcool/OMNIBus V7.4 WebGUI?

- A. iscadmins
- B. nco_admin
- C. configurator
- D. administrator

Answer: A

Explanation:

QUESTION NO: 13

Which statement is true about a signal trigger?

- A. It is executed repeatedly based on a specified frequency.
- B. It can only be executed if the system is running under process control.
- C. It can only be executed before or after an event is updated in the ObjectServer.
- D. It responds to changes detected within the IBM Tivoli Netcool/OMNIBus processes

Answer: D

Explanation:

QUESTION NO: 14

Which three methods can be used to improve the resiliency of the IBM Tivoli Netcool/OMNibus deployment? (Choose three.)

- A. deploying ObjectServers in pairs
- B. configuring and maintaining single sign-on capability
- C. deploying a second probe in peer-to-peer mode for any running probe
- D. using a probe raw capture file to determine the raw data reaching a probe
- E. setting up a cluster of Web GUI servers and then enabling Web GUI load balancing
- F. enabling multiple logins to allow multiple users to log in using the same user ID and password

Answer: A,C,E

Explanation:

QUESTION NO: 15

What must be configured to run an ObjectServer in FIPS 140-2 security mode?

- A. set the SecurityEncryption property of the ObjectServer to the DES setting
- B. set the SecurityEncryption property of the ObjectServer to the AES setting
- C. set the PasswordEncryption property of the ObjectServer to the DES setting
- D. set the PasswordEncryption property of the ObjectServer to the AES setting

Answer: D

Explanation:

QUESTION NO: 16

What is the only environment variable that has to be set to start the Display ObjectServer?

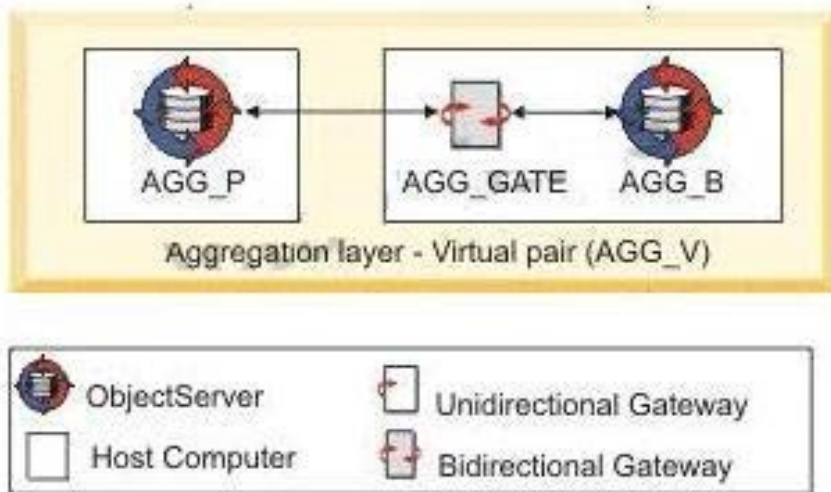
- A. NCHOME
- B. OMNI_HOME
- C. JAVA_HOME
- D. LD_LIBRARY_PATH

Answer: A

Explanation:

QUESTION NO: 17

Click the Exhibit button.



An administrator at Widgetcom intends to use the standard multitier architecture configuration that ships with IBM Tivoli Netcool/OMNIbus V7.4 (Netcool/OMNIbus) to deploy an aggregation pair of ObjectServers AGG_P (primary) and AGG_B (backup) with a failover bidirectional gateway connecting them: AGG_GATE.

Two physical computer systems will be used to deploy this single tier deployment of Netcool/OMNIbus. What is the minimum memory that should be provisioned for the Netcool/OMNIbus components running on the primary aggregation ObjectServer host?

- A. 1 GB
- B. 2 GB
- C. 4 GB
- D. 6 GB

Answer: C

Explanation:

QUESTION NO: 18

An ObjectServer is being configured with High Availability.
The primary ObjectServer, called LONDON_P, is configured on servera.
The backup ObjectServer, called LONDON_B, is configured on serverb.
The synchronizer gateway, called LONDON_GATE, is installed on serverb.
Neither of the ObjectServers is running in Secure Mode.

The goal is a configuration that implements ObjectServer failover and fallback in the most efficient manner and in accordance with standard Best Practices.

Which statement is true about configuring ObjectServer users in the LONDON_GATE property file?

- A. Different ObjectServer user names can be used for each ObjectServer.
- B. ObjectServer user names and passwords are not required in the gateway property file.
- C. The password value entered in the gateway property file for the ObjectServer users must be encrypted using thenco_g_crypt Utility.
- D. The same ObjectServer user name configured in the gateway property file must be defined in the LONDON_P and LONDON_B ObjectServers.

Answer: B

Explanation:

QUESTION NO: 19

When developing several new pages in a sandbox dev/test system for the WebGUI, the work is ready to migrate to production during a change control. How is the migration performed?

- A. use a series of tipcli.sh import and export commands
- B. migrate the files in tip_home_dir/profiles/TIPProfile/output to the new system
- C. use the import/ export wizard in the Settings page of the WebGUI as an administrator
- D. create a tar file of the appropriate files in tip_home_dir/profiles/TIPProfile/etc/pages; transfer the tar file to the newsystem and untar in the same location

Answer: A

Explanation:

QUESTION NO: 20

Click the Exhibit button.

New External Procedure (NCOMS on I3M-7LMK1VRCFDB:4100)

External Procedure Details

Name:

Parameters

In/Out: Name: Data Type: Array:

Executable: Browse...

Arguments:

Host:

User ID: Group ID:

OK Cancel

When creating a new external procedure in the ObjectServer, which hostname should be listed as the Host parameter?

- A. localhost
- B. the ObjectServer hostname
- C. the local Process Agent name
- D. the hostname where the executable will be run

Answer: D

Explanation:

QUESTION NO: 21

During an ObjectServer upgrade it is determined that AES encryption was used. What must be done to the upgrade to comply with FIPS 140?

- A. keys will work with AES encryption for FIPS 140
- B. decrypt everything with nco_aec_crypt with the -d option, then encrypt with nco_keygen -keyfile <filelocation>
- C. decrypt everything with nco_aec_decrypt, then re-encrypt with nco_keygen and nco_aes_crypt to store the keys in the proper keyfile
- D. decrypt everything with nco_aes_crypt with the -d option, then re-encrypt with nco_keygen and nco_aes_crypt to store the keys in the proper keyfile

Answer: D

Explanation:

QUESTION NO: 22

Which data does the nco_os report tool export in a variety of formats?

- A. all data from an ObjectServer
- B. operating system performance data
- C. only configuration data from an ObjectServer
- D. configuration data of an IBM Tivoli Netcool/OMNIbus installation

Answer: A

Explanation:

QUESTION NO: 23

An ObjectServer is being configured with High Availability.
The primary ObjectServer, called LONDON_P, is configured on servera.
The backup ObjectServer, called LONDON_B, is configured on serverb.
The synchronizer gateway, called LONDON_GATE, is installed on serverb.
Neither of the ObjectServers is running in Secure Mode.

The goal is a configuration that implements ObjectServer failover and fallback in the most efficient manner and in accordance with standard Best Practices.

Which statement correctly describes the use of the primary_only Trigger Group?

- A. The primary_only Trigger Group is only defined in the LONDON_P ObjectServer.
- B. The primary_only Trigger Group is only defined in the LONDON_B ObjectServer.
- C. The primary_only Trigger Group is always enabled in the LONDON_B ObjectServer.
- D. The primary_only Trigger Group is only enabled in the LONDON_B ObjectServer when LONDON_P is down.

Answer: D

Explanation:

QUESTION NO: 24

If UNIX authentication is used by a ProcessAgent, which check is made for any incoming connection to be accepted?

- A.** The user's shell (in/etc/passwd) must not be/bin/false.
- B.** The connection must be made via an SSL port; connections over non-SSL ports are rejected.
- C.** The user must be a member of the ncoadmin group (or whatever the -admingroup property is set to).
- D.** The host that the connect is coming from must be listed in a host entry in the nco_routing section of the ProcessAgent's configuration file.

Answer: C

Explanation:

QUESTION NO: 25

What are the steps to clone an ObjectServer?

- A.** It is not possible to exactly clone an ObjectServer.
- B.** Export the ObjectServer configuration into SQL files with nco_conf pack. Run the SQL files using nco_sqlto createthe new ObjectServer.
- C.** Export the ObjectServer configuration into SQL files with nco_os report. Use the SQL files to create a newObjectServer with nco_dbinit.
- D.** Export the ObjectServer configuration into SQL files with nco_conf pack. Use the SQL files to create a newObjectServer with nco_dbinit.

Answer: C

Explanation:

QUESTION NO: 26

What is the difference between the hash and tree database index structure?

- A.** The hash index can only be used on INTEGER columns. The tree index can be used on any

column data type.

B. The tree index can only be used on VARCHAR columns. The hash index can be used on any column data type.

C. The hash index supports equality comparisons in SQL queries. The tree index is an ordered index that stores column values in a sorted structure.

D. The hash index is an ordered index that stores column values in a sorted structure. The tree index supports equality comparisons in SQL queries.

Answer: C

Explanation:

QUESTION NO: 27

An administrator would like to give a group of users access to an Active Event List in IBM Tivoli Netcool/OMNIbus V7.4 WebGUI but keep them from using right-click tools. Which role should be used?

A. ncw_user

B. netcool_ro

C. netcool_nt

D. netcool_rw

Answer: B

Explanation:

QUESTION NO: 28

What is the purpose of probe rules file caching (e.g. the CacheRulesFile property)?

A. It provides a system for selecting which events to cache so that they can be processed by the probe at a later time (i.e. when a target ObjectServer is less busy).

B. It provides a system for storing a probe's last known working rules file and using it in the case when the probe is restarted with an unavailable or invalid local rules file.

C. It causes the probe to cache its current rules file into memory so that a running probe is not automatically affected by subsequent changes to the rules file(s) on disk.

D. It specifies a rules file for processing events previously cached by the probe and are being replayed. This allows different rules to be applied to cached and non-cached events.

Answer: B

Explanation:

QUESTION NO: 29

These IBM Tivoli Netcool/OMNIBus profile statistics were collected with a granularity period of 60 seconds:

```
[1] Mon Jan 7 17:39:46 2013: Individual user profiles:
[2] Mon Jan 7 17:39:46 2013: 'Administrator' (uid = 0) time on adminhost: 0.000000s
[3] Mon Jan 7 17:39:46 2013: 'isql' (uid = 0) time on omnihost1.ibm.com: 3.770000s
[4] Mon Jan 7 17:39:46 2013: 'PROBE' (uid = 0) time on probehost.ibm.com: 5.010000s
[5] Mon Jan 7 17:39:46 2013: 'e@c0B4D@c0142:11.0' (uid = 0) time on omnihost1.ibm.com: 2.010000s
[6] Mon Jan 7 17:39:46 2013: 'c@xxxx@xxxx:11.0' (uid = 45) time on omnihost1.ibm.com: 0.000000s
[7] Mon Jan 7 17:39:46 2013: 'e@c0B4D@c0142:11.0' (uid = 45) time on omnihost1.ibm.com: 3.870000s
[8] Mon Jan 7 17:39:46 2013: 'c@xxxx@xxxx:11.0' (uid = 55) time on omnihost1.ibm.com: 0.000000s
[9] Mon Jan 7 17:39:46 2013: 'e@c0B4D@c0142:11.0' (uid = 55) time on omnihost1.ibm.com: 6.020000s
[10] Mon Jan 7 17:39:46 2013: 'GATEWAY' (uid = 0) time on omnihost1.ibm.com: 0.270000s
[11] Mon Jan 7 17:39:46 2013: 'GATEWAY' (uid = 0) time on omnihost1.ibm.com: 0.000000s
[12] Mon Jan 7 17:39:46 2013: 'PROBE' (uid = 0) time on omnihost1.ibm.com: 3.010000s
[13] Mon Jan 7 17:39:46 2013: Grouped user profiles:
[14] Mon Jan 7 17:39:46 2013: Execution time for all connections whose application name is 'PROBE': 28.020000s
[15] Mon Jan 7 17:39:46 2013: Execution time for all connections whose application name is 'GATEWAY': 0.270000s
[16] Mon Jan 7 17:39:46 2013: Execution time for all connections whose application name is 'c@xxxx@xxxx:11.0':
0.000000s
[17] Mon Jan 7 17:39:46 2013: Execution time for all connections whose application name is 'e@c0B4D@c0142:11.0':
5.930000s
[18] Mon Jan 7 17:39:46 2013: Execution time for all connections whose application name is 'isql': 3.770000s
[19] Mon Jan 7 17:39:46 2013: Execution time for all connections whose application name is 'Administrator': 0.000000s
[20] Mon Jan 7 17:39:46 2013: Total time in the report period (59.275782s): 29.980000s
```

What should be the first action to optimize the ObjectServer performance?

- A. limit access for users to run ISQL queries
- B. analyze client filters and make them more efficient
- C. analyze the number of gateway connections and drop connections not in use
- D. analyze and correct probe rulesfile so that unnecessary events or event details will not be forwarded to the ObjectServer

Answer: D

Explanation:

QUESTION NO: 30

A customer would like to migrate a WebGUI V7.3.1 scenario running TIP V2.1 to the a WebGUI V7.4 configuration running on another server Following a successful export of data from the source V7.3.1 system, they cannot find the resulting data file. Where would this file be generated?

- A. inthetip_home_dir/profiles/TIPProfile/logs directory
- B. in the tip_home_dir/profiles/TIPProfile/output directory
- C. in the \$NCHOME/omnibus_webgui/integration/migration_tool directory
- D. in the \$NCHOME/omnibus_webgui/integration/importexport_tool directory

Answer: B

Explanation:

QUESTION NO: 31

Which two statements are true about configuring probes to use failover IBM Tivoli Netcool Proxy Servers? (Choose two.)

- A. The probe's IsProxyConnection property should be set to 1.
- B. The probe's PeerHost property should be set to point at the backup proxy server.
- C. The probe's PeerHost property should be set to point at the primary proxy server.
- D. The probe's Server property should be configured to point at the primary proxy server.
- E. The probe's ServerBackup property should be configured to point at the backup proxy server.

Answer: D,E

Explanation:

QUESTION NO: 32

What is the default Windows path where IBM Tivoli Netcool/OMNIbus V7.4 is installed?

- A. C:\IBM\netcool
- B. C:\IBM\Tivoli\netcool
- C. C:\ProgramFiles\IBM\netcool
- D. C:\Program Files\micromuse\netcool

Answer: B

Explanation:

QUESTION NO: 33

What is one of the first steps that the WebGUI administrator should do when creating a new page for a user?

- A. define the page wires for the different workspaces
- B. set the page location, source URL, and tools accessibility
- C. set the page properties, roles, layouts, and levels of access
- D. define the user access groups for each workspace on the page

Answer: C

Explanation:

QUESTION NO: 34

Which three software components are required for a WebGUI Load Balancing cluster? (Choose three)

- A. process agent
- B. IBM HTTP Server
- C. IBM DB2 database
- D. bi-directional gateway
- E. IBM Load Balancing Gateway
- F. IBM Tivoli Netcool/OMNIBus WebGUI Cluster nodes

Answer: B,C,F

Explanation:

QUESTION NO: 35

A customer has a requirement that events must be obtained from an application. The events are to be sourced from a log file - one event per line. Which two probes could be used to do this? (Choose two)

- A. EIF Probe
- B. GLF Probe
- C. Syslog Probe
- D. Socket Probe
- E. Syslogd Probe

Answer: B,C

Explanation:

QUESTION NO: 36

What is the effect of this command?

```
%OMNIHOME%\bin\nco_probeeventfactory.cmd -host servername.ibm.com -port 2020
```


AlertGroup=Netcool Manager=mttrapd Host=testserver.ibm.com Severity=l

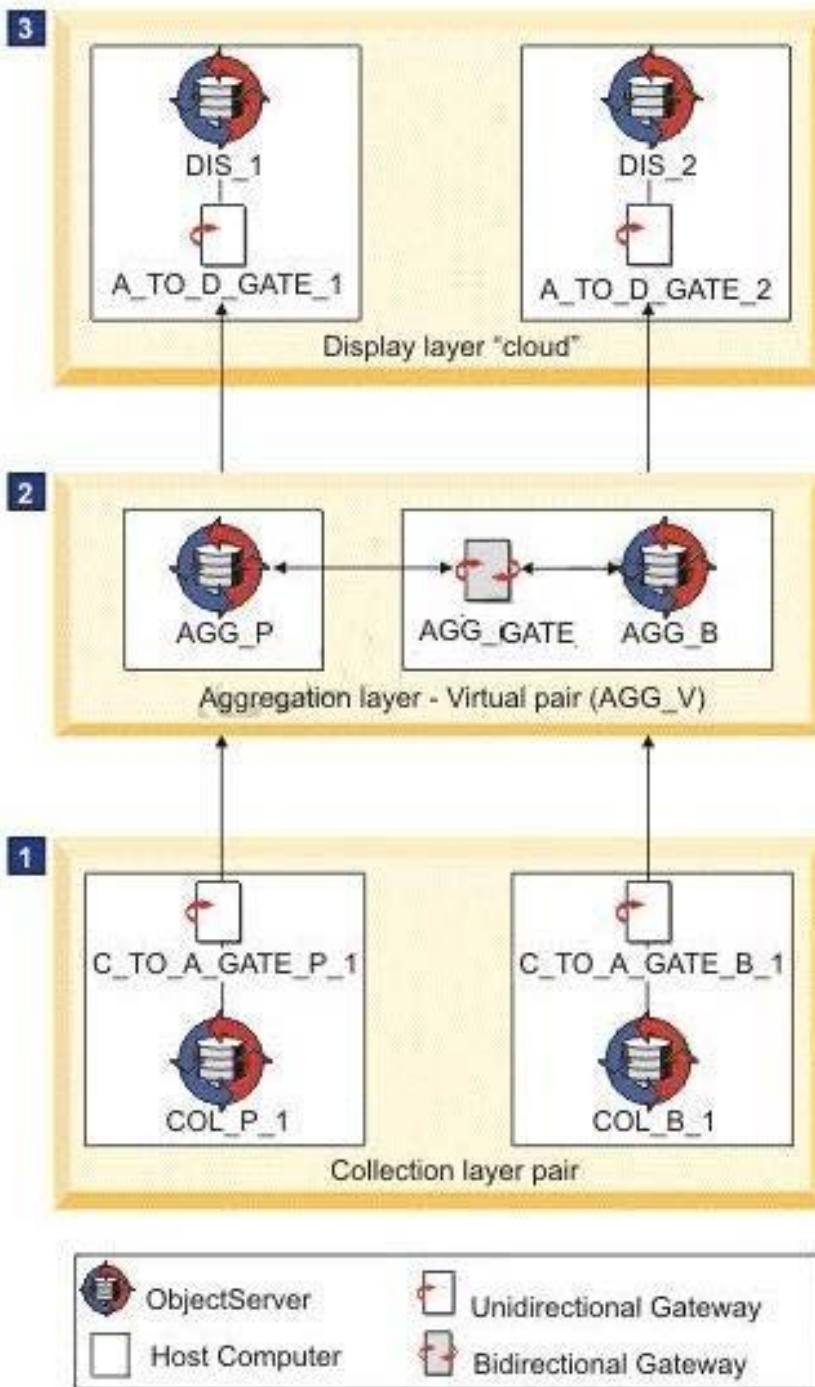
- A. It sends a request to update the remote Probe Rules file with the listed event field values.
- B. It sends a request to update the remote Probe properties file with the listed event field values.
- C. It generates an event with the listed event field values to a probe whose host is testserver.ibm.com.
- D. It generates an event with the listed event field values to a probe whose host is servername.ibm.com.

Answer: D

Explanation:

QUESTION NO: 37

Click the Exhibit button.



Widgetcom has deployed this 3-tier standard multi-tier architecture deployment of IBM Tivoli Netcool/OMNIBus V7.4 (Netcool/OMNIBus) using the best practice configuration that ships with the product:

Assuming all Netcool/OMNIBus components have been set up in accordance with best practices, which two commands can be used to verify that the various components are up and running? (Choose two)

A. nco_ping

- B. nco_postimsg
- C. nco_osreport
- D. nco_pa_status
- E. nco_check_store

Answer: A,D

Explanation:

QUESTION NO: 38

A consultant is working on an IBM Tivoli Netcool/OMNIBus V7.2.1 ObjectServer upgrade to V7.4. Which high level steps migrate the key database?

- A. move the omni.kdb file to a temporary location, create a new key database with nc_gskcmd, import the certificates
- B. export the omni.kdb file to a flat file with nco_g_crypt -d, create a new key database with nc_gskcmd, import the certificates
- C. move the omni.kdb to a temporary location, perform the upgrade, move the omni.kdb into the \$NCHOME/etc/security/keys directory
- D. move the omni.kdb file to a temporary location /<temp location/ and create a new key database with nc_gskcmd with the-load /<temp location>/omni.kdb

Answer: A

Explanation:

QUESTION NO: 39

A company wants to back up their IBM Tivoli Netcool/OMNIBus database, TIP pages, and WebGUI components. Examine these files and outputs:

```
- Partial OMNIBusWebGUI_clone_settings.properties

##### Web GUI product home directory settings #####
# A full path (including drive letter or volume) to a directory
# where product (OMNIBus Web GUI) files are.
# If not defined (default), product home directory is <tip_v2_dir>/../netcool/omnibus_webgui
# In case of Windows system, please escape \ characters by using \\
# e.g. C:\IBM\tivoli\netcool\omnibus_webgui
#####
#product.home=C:\IBM\tivoli\netcool\omnibus_webgui
product.home=/opt/IBM/tivoli/netcool/omnibus_webgui

- Partial /opt/IBM/tivoli/netcool/omnibus_webgui/integration/plugins/OMNIBusWebGUI_TIP_clone.properties

#additional properties in another file
customPropertiesFile=OMNIBusWebGUI_clone_settings.properties

Run Export:
```

```
$ /opt/IBM/tivoli/tpv2/profiles/TIPProfile/bin/tpcli.sh Export --username tipadmin --password netcool --
settingFile /opt/IBM/tivoli/netcool/omnibus_webgui/integration/plugins/OMNibusWebGUI_TIP_clone.properties
CTGWA4159W Extra parameter: ExportWebGUIPlugin.ignore will be passed to plug-ins.
CTGWA4159W Extra parameter: ImportViewPlugin.ignore will be passed to plug-ins.
CTGWA4159W Extra parameter: ServerInitImportPlugin.output will be passed to plug-ins.
CTGWA4159W Extra parameter: ExportWebResourcePlugin.output will be passed to plug-ins.
CTGWA4159W Extra parameter: WAAPInitImportPlugin.input will be passed to plug-ins.
CTGWA4159W Extra parameter: ExportViewPlugin.output will be passed to plug-ins.
CTGWA4159W Extra parameter: ImportWebGUIPlugin.ignore will be passed to plug-ins.
CTGWA4159W Extra parameter: ExportFilterPlugin.output will be passed to plug-ins.
CTGWA4159W Extra parameter: ImportWebGUIPlugin.input will be passed to plug-ins.
CTGWA4159W Extra parameter: ImportViewPlugin.input will be passed to plug-ins.
CTGWA4159W Extra parameter: ExportWebResourcePlugin.input will be passed to plug-ins.
CTGWA4159W Extra parameter: ExportWebGUIPlugin.input will be passed to plug-ins.
CTGWA4159W Extra parameter: ExportFilterPlugin.user will be passed to plug-ins.
CTGWA4159W Extra parameter: DCISecurityImportPlugin.input will be passed to plug-ins.
CTGWA4159W Extra parameter: ExportWebGUIPlugin.output will be passed to plug-ins.
CTGWA4159W Extra parameter: components will be passed to plug-ins.
CTGWA4159W Extra parameter: ServerInitImportPlugin.input will be passed to plug-ins.
CTGWA4159W Extra parameter: WAAPInitImportPlugin.ignore will be passed to plug-ins.
CTGWA4159W Extra parameter: UUID will be passed to plug-ins.
CTGWA4159W Extra parameter: ImportFilterPlugin.input will be passed to plug-ins.
CTGWA4159W Extra parameter: ServerInitImportPlugin.ignore will be passed to plug-ins.
CTGWA4159W Extra parameter: ExportViewPlugin.user will be passed to plug-ins.
CTGWA4159W Extra parameter: ExportViewPlugin.system will be passed to plug-ins.
CTGWA4159W Extra parameter: ExportWebResourcePlugin.ignore will be passed to plug-ins.
CTGWA4159W Extra parameter: ExportFilterPlugin.system will be passed to plug-ins.
CTGWA4159W Extra parameter: password will be passed to plug-ins.
CTGWA4159W Extra parameter: ImportWebResourcePlugin.input will be passed to plug-ins.
```

```
CTGWA4159W Extra parameter: username will be passed to plug-ins.
CTGWA4159W Extra parameter: product.home will be passed to plug-ins.
CTGWA4159W Extra parameter: TIP.cellName will be passed to plug-ins.
CTGWA4159W Extra parameter: ExportViewPlugin.global will be passed to plug-ins.
CTGWA4159W Extra parameter: DCISecurityImportPlugin.output will be passed to plug-ins.
CTGWA4159W Extra parameter: ImportWebGUIPlugin.output will be passed to plug-ins.
CTGWA4159W Extra parameter: ExportFilterPlugin.global will be passed to plug-ins.
CTGWA4159W Extra parameter: TIP.ProfileName will be passed to plug-ins.
CTGWA4159W Extra parameter: ExportFilterPlugin.groups will be passed to plug-ins.
CTGWA4159W Extra parameter: WAAPInitImportPlugin.output will be passed to plug-ins.
CTGWA4159W Extra parameter: ImportFilterPlugin.ignore will be passed to plug-ins.
The data was successfully exported to the directory /opt/IBM/tivoli/tpv2/profiles/TIPProfile/output/data.zip
CTGWA40171 The command completed successfully.
$
```

Given that the administrator has only modified the product.home property in OMNibusWebGUI_clone_settings.properties in the new IBM Tivoli Netcool/OMNibus V7.4, which two statements are true? (Choose two.)

- A. TIP pages, and WebGUI components are exported.
- B. Only data from product.home are exported in data .zip.
- C. The TIP pages, WebGUI components, and OMNibus DB are exported.
- D. The TIP server should be running prior to executing the export command.
- E. Data from product.home and ObjectServer DB are included in the exported data.zip.

Answer: A,D

Explanation:

QUESTION NO: 40

A company is deploying a multi-tiered architecture with a collection, aggregation, and display

layers. Which steps are required to create a pair of collection layer ObjectServers?

- A.** Configure the omni.dat or Server Editor and generate the interfaces file for COL_P_1, COL_B_1 and COL_V_1 Edit the properties file for COL_P_1 and COL_B_1 to specify the ObjectServers as collection ObjectServers. Start the ObjectServers COL_P_1 and COL_B_1.
- B.** Configure the omni.dat or Server Editor and generate the interfaces file for COL_P_1, COL_B_1 and COL_V_1 Run nco_dbinit with the -customconfigfile option to load the collection.sql. Start the ObjectServers COL_P_1, COL_B_1 and COL_V_1.
- C.** Configure the omni.dat or Server Editor and generate the interfaces file for COL_P_1, COL_B_1 and COL_V_1 Start the ObjectServers COL_P_1 and COL_B_1.
- D.** Configure the omni.dat or Server Editor and generate the interfaces file for COL_P_1, COL_B_1 and COL_V_1 Run nco_dbinit with the -customconfigfile option to load the collection.sql to initialize the ObjectServers. Start the ObjectServers COL_P_1 and COL_B_1.

Answer: D

Explanation:

QUESTION NO: 41

Which two directories should be backed up before the upgrade in place from IBM Tivoli Netcool/OMNIBus (Netcool/OMNIBus) V7.3.1 and TIP V2.2 to Netcool/OMNIBus V7.4 on a Redhat Linux system? (Choose two)

- A.** opt/IBM/db2
- B.** opt/IBM/tivoli/profiles
- C.** opt/IBM/tivoli/netcool
- D.** opt/IBM/tivoli/tipv2Components
- E.** opt/IBM/tivoli/netcool/omnibus_webgui

Answer: D,E

Explanation:

QUESTION NO: 42

The network operation center has two groups of users that use the native desktop One group, OPERATIONS, requires access to the standard event management tools like acknowledge and delete They also require access to some custom tools for things like basic troubleshooting (ping and telnet) and ticket creation The second group, NETWORK, requires access to the same tools used by the OPERATIONS group users In addition, there are a few tools used for advanced router diagnostics that they use These tools are not to be available to the OPERATIONS group users. To minimize administration efforts a common desktop menu is used for both groups of

users.

The RouterDiag tool, used by the NETWORK group users, is based on the execution of a shell script called routerdiag.sh. All of the desktops used by the NETWORK group users have network access to the ObjectServer. There are no common disks which are network accessible among the OPERATIONS group users. A copy of the routerdiag.sh file must be stored in which location?

- A. in the alerts .tools table in the ObjectServer
- B. in the master.tools table in the ObjectServer
- C. on every desktop used by NETWORK group users
- D. in the \$OMNIHOME/tools directory on the ObjectServer system

Answer: C

Explanation:

QUESTION NO: 43

What is the default URL when logging in to a newly installed WebGUI on 10.1.1.10?

- A. http://10.1.1.10:16310/
- B. http://10.1.1.10/ibm/console
- C. http://10.1.1.10:16310/ibm/console
- D. https://10.1.1.10:16310/ibm/console

Answer: C

Explanation:

QUESTION NO: 44

The ObjectServer is being configured in FIPS 140-2 mode so that the properties PA.Username and PA.Password stored in the ObjectServer properties file are encrypted. The keyfile is already created with nco_keygen. Which ObjectServer properties should be configured?

- A. Set ConfigKeyFile to the path and filename of the keyfile. Use nco_crypt to encrypt the PA.Username and PA.Password.
- B. Set ConfigKeyFile to the path and filename of the keyfile. Use nco_keygen to encrypt the PA.Username and PA.Password.
- C. Set ConfigKeyFile to the path and filename of the keyfile. Use nco_aes_crypt to encrypt the PA.Username and PA.Password.
- D. Set PasswordEncryption to the path and filename of the keyfile. Use nco_aes_crypt to encrypt

the PA.Username and PA.Password.

Answer: C

Explanation:

QUESTION NO: 45

Which three statements are true regarding adding and editing table columns in an ObjectServer?
(Choose three.)

- A. PRIMARY KEY columns can be added to existing tables.
- B. PRIMARY KEY columns cannot be added to existing tables.
- C. The maximum number of columns in a table is 512 excluding the system-maintained columns.
- D. The maximum number of columns in a table is 1024 excluding the system-maintained columns.
- E. The maximum row size for a table, which is the sum of the length of the columns in the row, is 64 KB.
- F. The maximum row size for a table, which is the sum of the length of the columns in the row, is 256 KB.

Answer: B,C,E

Explanation:

QUESTION NO: 46

The MessageLevel specifies the message logging level in an ObjectServer properties file. What is the default level?

- A. info
- B. fatal
- C. error
- D. warn

Answer: D

Explanation:

QUESTION NO: 47

A company has a virtual pair of ObjectServers with the primary located in New York (ny.fqdn.com 4100), the backup in Sacramento (sac.fqdn.com 4100), and the WebGUI is in San Francisco

(sf.fqdn.com 16311). The administrator has these requirements:

- A custom WebGUI view that is accessible by all users will be created to display the events
- A custom filter will show events that happened within the last 30 minutes where the hostnames start with an alphabetic character and the severity of the data is higher than minor
- A map will provide a geographic representation of the cities, will open an Active Event List, and embed in a SmartPage

Which WebGUI role should be assigned to the users so they can create filters?

- A. ncw_user
- B. netcool_ro
- C. nco_admin
- D. ncw_dashboard

Answer: C

Explanation:

QUESTION NO: 48

IBM Tivoli Netcool/OMNIBus V7 4 core components are being installed on a server running 64-bit SUSE Linux. The server hardware consists of 8 CPUs (2.4 GHz), 16 GB RAM, and 2500 GB disks. The software will be installed using the Typical installation option.

The IBM Prerequisite Scanner should be run on this system to ensure what is correct on the server?

- A. the correct kernel parameters
- B. the correct user to perform the installation
- C. the correct hardware, operating system, and software
- D. the correct host name, DNS resolution, and port availability

Answer: C

Explanation:

QUESTION NO: 49

When should the use of ObjectServer table indexes be considered for an IBM Tivoli Netcool/OMNIBus deployment?

- A. A new event field is added to the ObjectServer database alerts.status table.
- B. A one-off scan will be carried out on a non-indexed field in a small ObjectServer table.
- C. A non-indexed field is used extensively within ObjectServer triggers,tools, or procedures.
- D. A necessary, frequent scan will be carried out on a non-indexed field in a small ObjectServer table.

Answer: C

Explanation:

QUESTION NO: 50

Which three areas are checked on the target host by the IBM Prerequisite Scanner Utility for IBM Tivoli Netcool/OMNIBus? (Choose three)

- A. DVD drive
- B. disk space
- C. database compatibility
- D. network adapter speed
- E. supported operating system
- F. required third party packages

Answer: B,E,F

Explanation:

QUESTION NO: 51

When an Accelerated Event Notification (AEN) is received by the AEN client, a message is displayed on the user desktop. That message contains data from several columns in the event record used to generate the notification. How are the column names used in the pop-up message configured within the AEN client properties?

- A. The Visual option in the Messages tab defines how the columns appear in the message.
- B. The Application Details in the Information tab defines how the columns appear in the message.
- C. The Column data settings in the Channels tab defines how the columns appear in the message.
- D. The View setting in the Application tab identifies an event view that defines how the columns appear in the message.

Answer: C

Explanation:

QUESTION NO: 52

What does the nco_setpropbprop command modify?

- A. the default location of the property file for a specified probe
- B. the value of the specified property of a probe via the probe's HTTP interface
- C. the value of the specified property in the property file for the specified probe
- D. the value of the specified property in all probe property files in the installation

Answer: B

Explanation:

QUESTION NO: 53

What is the default location of the ObjectServer, probe, and gateway log files?

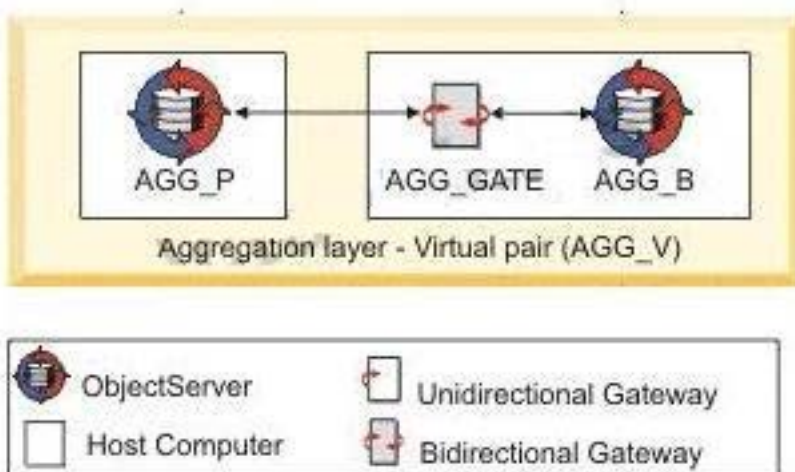
- A. \$NCHOME/log
- B. \$NCHOME/probes/log
- C. \$NCHOME/omnibus/log
- D. \$OMNIHOME/omnibus/log

Answer: C

Explanation:

QUESTION NO: 54

Click the Exhibit button.



After performing stress testing on the new IBM Tivoli Netcool/OMNIbus V7 4 (Netcool/OMNIbus) single tier deployment, the Netcool/OMNIbus administrator notices the combined average profiling and trigger statistics log file data shows that the primary aggregation ObjectServer AGG_P is using 50 seconds on average out of its 60 second granularity cycle.

As part of the stress testing, WebGUI was connected to the Netcool/OMNIbus system and a representative number of users logged in to the WebGUI server. Users reported sluggish performance from their Active Event lists.

On further inspection of the log files, the Netcool/OMNIbus administrator sees that the grouped user profile WEBTOP is the biggest consumer using just over 40 seconds of the 60 second granularity. Which two actions will help decrease the load by this user profile group and improve the end user experience? (Choose two)

- A. delete the contents of the alerts.details table
- B. deploy further probes to share the load of the incoming event stream
- C. enable data caching on the WebGUI server for the Netcool/OMNIbus datasource
- D. deploy a Display layer using the standard multi-tier architecture configuration and move WebGUI to connect to theDisplay layer in DSD mode
- E. deploy a Collection layer using the standard multi-tier architecture configuration and move WebGUI to connect to theCollection layer in DSD mode

Answer: C,D

Explanation:

QUESTION NO: 55

The installation script to install an ObjectServer on a Redhat Linux system has completed. The syslog probe will not start when running pad. How should the nco_pa.conf file be modified?

```
nco_process 'ObjectServer'
{
Command '$NCHOME/omnibus/bin/nco_objserv -name NETCOOLPRI -pa NCOOS_PA' run as 0
Host='nchost01'
Managed=true
RestartMsg='The ObjectServer has been restarted'
AlertMsg='The ObjectServer has gone down'
RetryCount=0
ProcessType=PaPA_AWARE
}
nco_process 'SyslogProbe'
{
Command '$NCHOME/omnibus/probes/nco_p_syslog' run as 0
Host='nchost01'
Managed=true
RestartMsg='The Syslog Probe has been restarted'
AlertMsg='The Syslog Probe has gone down'
RetryCount=0
ProcessType=PaPA_AWARE
}

nco_service 'Omnibus'
{
ServiceType=Master
ServiceStart=Auto
process 'ObjectServer' NONE
}
nco_routing
{
host 'nchost01' 'NCOOS_PA'
}
```

- A. start the pad process as the netcool user.
- B. add host'nchostor '512' after the host'nchostor 'NCOOS_PA' line in the nco_routing section
- C. after the line, process 'ObjectServer' NONE, in nco_service, add process 'SyslogProbe' 'ObjectServer'
- D. change the run as 0 statement at the end of the line Command '\$NCHOME/omnibus/probes/nco_p_syslog' run as 0 to run as netcool because of the protected port

Answer: C

Explanation:

QUESTION NO: 56

Which three statements are true regarding a WebGUI load balancing cluster? (Choose three.)

- A. An IBM DB2 database is required.
- B. If a node within a cluster fails, new user sessions are directed to other active nodes.
- C. WebGUI load balancing can be configured as an option during WebGUI installation if a database is available.
- D. If a node in the cluster fails, active sessions on that node are automatically transferred to other active nodes.

E. If a node in the cluster fails, users who are in session with that node must log back in to access the WebGUI.

F. If a node in the cluster fails, users who are in session with that node are automatically directed to other active nodes

Answer: A,B,E

Explanation:

QUESTION NO: 57

Server communication for an admin client can be set up in which three ways? (Choose three.)

A. run nco_xigen in UNIX/Linux

B. use the Servers Editor in Windows

C. manually edit the sql.ini in Windows

D. manually edit the interfaces.[arch] file

E. add servers to system environment variables

F. select Add Server in the Administrator Client

Answer: A,B,C

Explanation:

QUESTION NO: 58

According to the best practices hardware sizing guide, how many cores should be provisioned for a listening type probe?

A. 1

B. 2

C. 3

D. 4

Answer: B

Explanation:

QUESTION NO: 59

What is the effect of setting these ObjectServer properties prior to starting the ObjectServer?

NHttpd.EnableHTTP : TRUE

NHttpd.ListeningPort : 8080

- A. It defines whether the embedded HTTPD server will serve files from its document root.
- B. It configures the embedded HTTP server so that the interfaces are active on an HTTP port (8080).
- C. It configures the embedded HTTP server so that the interfaces are active on an HTTPS port (8080).
- D. It defines the security realm name of the basic HTTP authentication value that is returned to a HTTP request in a HTTP(401) response when invalid or no credentials are provided.

Answer: B

Explanation:

QUESTION NO: 60

Which statement correctly describes what occurs when the Maintain History option is selected in the Accelerated Event Notification (AEN) client property settings?

- A. A log file is created which contains a record of all AEN messages received by the client.
- B. It prevents the AEN pop-up message from being automatically removed from the desktop.
- C. A copy of each message received by the client is retained, and the message may be recalled.
- D. A journal entry is created for the corresponding event in the ObjectServer when the message is received by the AENclient.

Answer: C

Explanation:

QUESTION NO: 61

Which two environment variables are set on a Windows platform following a successful installation of IBM Tivoli Netcool/OMNIBus? (Choose two)

- A. NCHOME
- B. TIP_HOME
- C. OMNIHOME
- D. NETCOOL_HOME
- E. LD_LIBRARY_PATH

Answer: A,C

Explanation:**QUESTION NO: 62**

Which command checks the rules file syntax for the mttrapd.rules file?

- A. nco_syntax mttrapd.rules
- B. nco_p_syntax mttrapd.rules
- C. nco_syntax -rulesfile mttrapd.rules
- D. nco_p_syntax -rulesfile mttrapd.rules

Answer: D

Explanation:**QUESTION NO: 63**

An engineer wants to disallow filter and view selection in an Active Event List (AEL) per user. Where is this limitation applied?

- A. Edit > Preferences, in the Active Event List applet
- B. User and Groups > Manage User, modifying settings
- C. Settings > User Preferences for IBM Tivoli Netcool/OMNIBUS WebGUI
- D. It cannot be done with the current version of IBM Tivoli Netcool/OMNIBUS WebGUI.

Answer: C

Explanation:**QUESTION NO: 64**

The network operation center has two groups of users that use the native desktop. One group, OPERATIONS, requires access to the standard event management tools like acknowledge and delete. They also require access to some custom tools for things like basic troubleshooting (ping and telnet) and ticket creation. The second group, NETWORK, requires access to the same tools used by the OPERATIONS group users. In addition, there are a few tools used for advanced router diagnostics that they use. These tools are not to be available to the OPERATIONS group users. To minimize administration efforts a common desktop menu is used for both groups of users.

To Read the [Whole Q&As](#), please purchase the [Complete Version](#) from [Our website](#).

Trying our product !

- ★ **100%** Guaranteed Success
- ★ **100%** Money Back Guarantee
- ★ **365 Days** Free Update
- ★ **Instant Download** After Purchase
- ★ **24x7** Customer Support
- ★ Average **99.9%** Success Rate
- ★ More than **69,000** Satisfied Customers Worldwide
- ★ Multi-Platform capabilities - **Windows, Mac, Android, iPhone, iPod, iPad, Kindle**

Need Help

Please provide as much detail as possible so we can best assist you.

To update a previously submitted ticket:



 One Year Free Update <p>Free update is available within One Year after your purchase. After One Year, you will get 50% discounts for updating. And we are proud to boast a 24/7 efficient Customer Support system via Email.</p>	 Money Back Guarantee <p>To ensure that you are spending on quality products, we provide 100% money back guarantee for 30 days from the date of purchase.</p>	 Security & Privacy <p>We respect customer privacy. We use McAfee's security service to provide you with utmost security for your personal information & peace of mind.</p>
---	---	--

[Guarantee & Policy](#) | [Privacy & Policy](#) | [Terms & Conditions](#)

Any charges made through this site will appear as Global Simulators Limited.

All trademarks are the property of their respective owners.

Copyright © 2004-2015, All Rights Reserved.