

100% Money Back
Guarantee

Vendor:Cisco

Exam Code:642-447

Exam Name:Implementing Cisco Unified
Communications Manager, Part 1 v8.0 (CIPT1 v8.0)

Version:Demo

QUESTION 1

Which term describes an ordered list of partitions that an IP phone can search before completing a call?

- A. calling search space
- B. called search space
- C. route list
- D. route group

Correct Answer: A

QUESTION 2

Which two ways can you configure redundancy for Cisco IP Phone services? (Choose two.)

- A. Configure a primary and a secondary URL.
- B. Configure redundancy at the DNS server.
- C. Enable Cisco IP Phone service within two servers in the cluster.
- D. Use Cisco IOS as Cisco Survivable Remote Site Telephony.
- E. Use Cisco IOS Server Load Balancing.

Correct Answer: BE

QUESTION 3

abc.com Lumber Company phones are configured to use AAR to reroute a call when the call is rejected due to insufficient IP WAN bandwidth. Which AAR configuration parameter will prevent a call originating at a lobby phone from using AAR when CAC rejects the call due to insufficient bandwidth?

- A. disabling AAR for the specific DN
- B. changing the AAR Calling Search Space in the IP phone line settings
- C. changing the AAR Group information
- D. changing the AAR External Phone Number masks

Correct Answer: B

QUESTION 4

Which two options are forms of redundancy provided by Cisco Unified Communications Manager? (Choose two.)

- A. media resource redundancy
- B. CTI redundancy
- C. voice-mail redundancy
- D. emergency responder redundancy

Correct Answer: AB

QUESTION 5

Which of these is the best practice to employ when using certificates between a browser and the Cisco Unified CallManager 5.0 server?

- A. Use either SSH or CLI to view the thumbprint of the certificate and then communicate the information to all web browser users so they already have it available when they receive the security alert.
- B. Install thumbprint readers on the devices that need to connect to the Cisco Unified CallManager servers via HTTPS.
- C. Use SSH exclusively to verify the thumbprint of the certificate and then send the certificate to all web browser users that require access to the server.
- D. Note the thumbprint of the Cisco Unified CallManager certificates after installation and then communicate the information to all web browser users so they have it available when they receive the security alert.

Correct Answer: D

QUESTION 6

Which two statements about calling search spaces and partitions are true? (Choose two.)

- A. Partitions define who you can call.
- B. Partitions define who can call you.
- C. Calling search spaces can be assigned only to phones and gateways.
- D. Calling search spaces define who you can call.
- E. Calling search spaces define who can call you.

Correct Answer: BD

QUESTION 7

Which two of these are characteristics of multicast music on hold? (Choose two.)

- A. It uses one-way RTP point-to-point.
- B. There is a single user per audio stream.

- C. Networks and devices have to support multicast.
- D. It decrements by port number for different audio sources.
- E. It uses the multicast group address 238.1.1.1 to 239.255.255.255.
- F. It uses the multicast group address 239.1.1.1 to 239.255.255.255.
- G. It uses service parameters to set the codec type or types that are used by conferencing services

Correct Answer: CF

: In multicast scenario A and B is absolutely wrong. Cisco recommends using an IP address in the range that is reserved for administratively controlled applications on private networks (239.0.0.0 to 239.255.255.255)

Link :

http://www.cisco.com/en/US/docs/voice_ip_comm/cucm/admin/8_5_1/ccmfeat/fsmoh.html Note: if this would have been a choose three question then G could be correct as well. Reference : Cisco Unified Communications Manager Features and Services Guide for Cisco Unified communications Manager Release 8.5(1), page-1002

QUESTION 8

Which portion of the master Administrator account can be changed after installing using the CLI?

- A. privilege level
- B. username
- C. password
- D. username and password

Correct Answer: D

```
admin:utils rese
      utils reset_application_ui_administrator_name
      utils reset_application_ui_administrator_password
      utils reset_ui_administrator_name
      utils reset_ui_administrator_password

admin:show ver
admin:show version ac
admin:show version active
Active Master Version: 8.6.2.20000-2
Active Version Installed Software Options:
No Installed Software Options Found.
admin:_
```

QUESTION 9

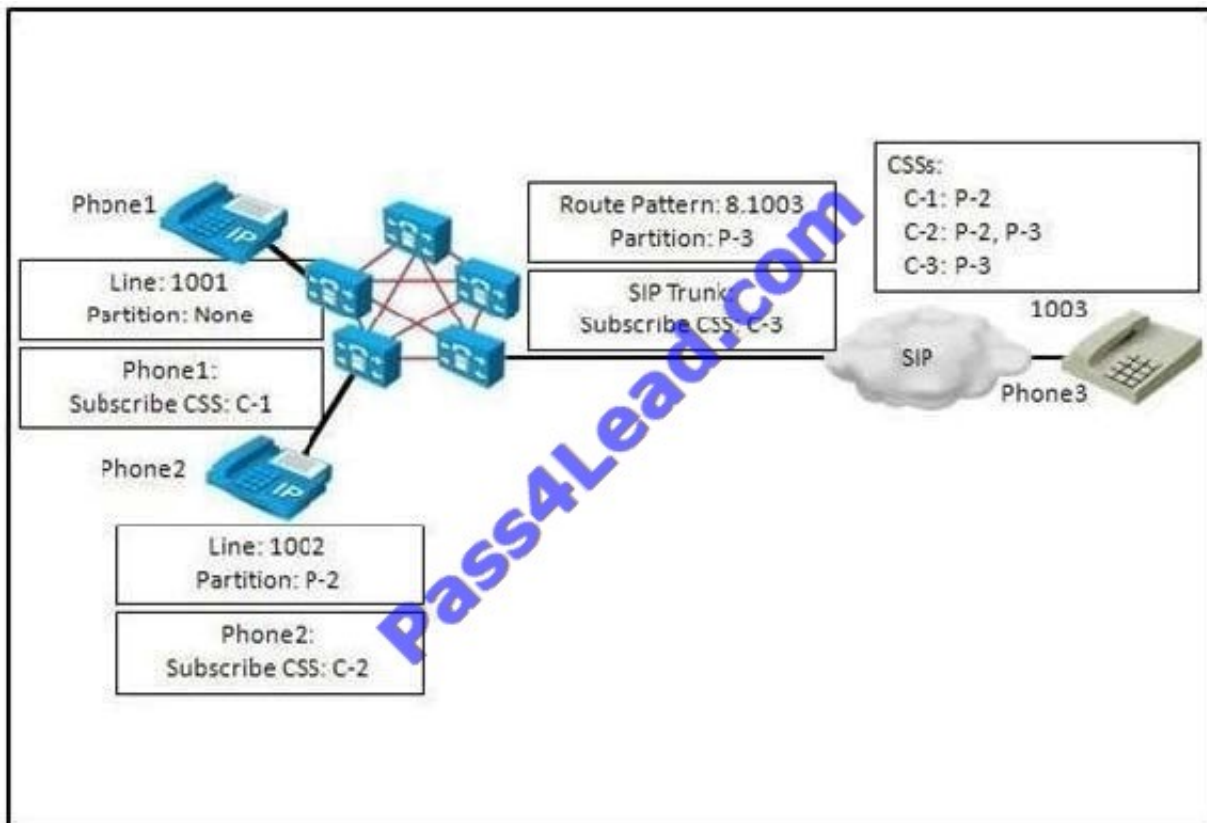
Which two options describe how the Cisco Unified Communications Manager Auto-Register Phone Tool updates auto-registering IP phones? (Choose two.)

- A. An administrator can schedule when auto-registered phones can dial in to the Cisco Unified Communications Manager Auto-Register Phone Tool directory number.
- B. A new phone can dial in to the Cisco Unified Communications Manager Auto-Register Phone Tool directory number to manage the device user profile.
- C. A new phone can dial in to the Cisco Unified Communications Manager Auto-Register Phone Tool directory number to update its MAC address in Cisco Unified Communications Manager and download the correct configuration file
- D. A replacement phone can dial in to the Cisco Unified Communications Manager Auto- Register Phone Tool directory number to register with Cisco Unified Communications Manager.
- E. A replacement phone can dial in to the Cisco Unified Communications Manager Auto- Register Phone Tool directory number to download the configuration for the phone it replaces.

Correct Answer: CE

QUESTION 10

Refer to the exhibit. Which of these statements are true?



- A. 1001 can watch 1002, but not 1003.
- B. 1002 can only watch 1003.
- C. 1003 can only watch 1001.
- D. 1001 can watch 1002 and 1003.
- E. 1002 cannot watch any extension.

Correct Answer: AC

QUESTION 11

Which statement describes what happens when a failed primary Cisco Unified Communications Manager comes back into service?

- A. Devices in that group automatically reregister with the primary Cisco Unified CM.
- B. The group automatically re-elects a new primary Cisco Unified CM when it is out of service, and it rejoins the group as a member Cisco Unified CM.
- C. The primary Cisco Unified CM must be added manually back to the group.
- D. A new temporary region is created automatically to avoid conflicts until database resynchronization finishes.

Correct Answer: A

QUESTION 12

Which option describes the objective of use partitions?

- A. Divide directory numbers with different privileges.
- B. Group called numbers with identical reachability characteristics.
- C. Provide calling privileges to implement CoS.
- D. Enable the use of FAC.
- E. Route different called patterns to a specific gateway.

Correct Answer: B

To Read the [Whole Q&As](#), please purchase the [Complete Version](#) from [Our website](#).

Try our product !

100% Guaranteed Success

100% Money Back Guarantee

365 Days Free Update

Instant Download After Purchase

24x7 Customer Support

Average **99.9%** Success Rate

More than **800,000** Satisfied Customers Worldwide

Multi-Platform capabilities - **Windows, Mac, Android, iPhone, iPod, iPad, Kindle**

Need Help

Please provide as much detail as possible so we can best assist you.

To update a previously submitted ticket:



 <p>One Year Free Update Free update is available within One Year after your purchase. After One Year, you will get 50% discounts for updating. And we are proud to boast a 24/7 efficient Customer Support system via Email.</p>	 <p>Money Back Guarantee To ensure that you are spending on quality products, we provide 100% money back guarantee for 30 days from the date of purchase.</p>	 <p>Security & Privacy We respect customer privacy. We use McAfee's security service to provide you with utmost security for your personal information & peace of mind.</p>
---	---	--

Any charges made through this site will appear as Global Simulators Limited.

All trademarks are the property of their respective owners.